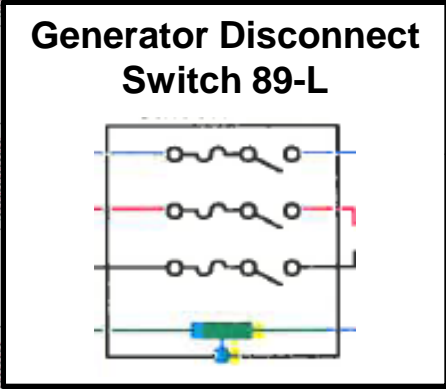


Example Three Line Drawing Components

- Equipment Locations
- Title Block
- DG System Drawing Details
- Service Characteristic Drawing Details

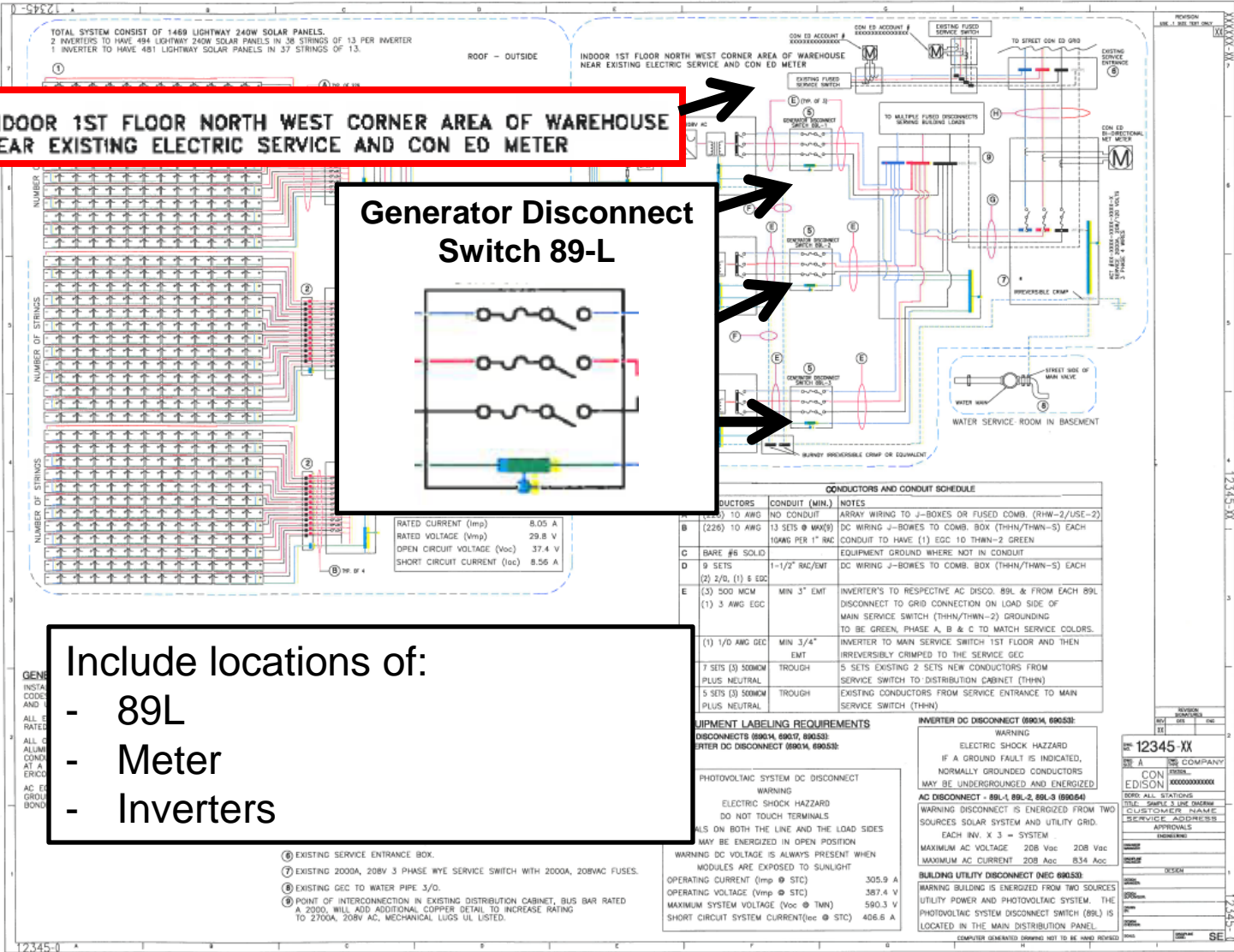
Equipment Locations and Labeling

INDOOR 1ST FLOOR NORTH WEST CORNER AREA OF WAREHOUSE NEAR EXISTING ELECTRIC SERVICE AND CON ED METER

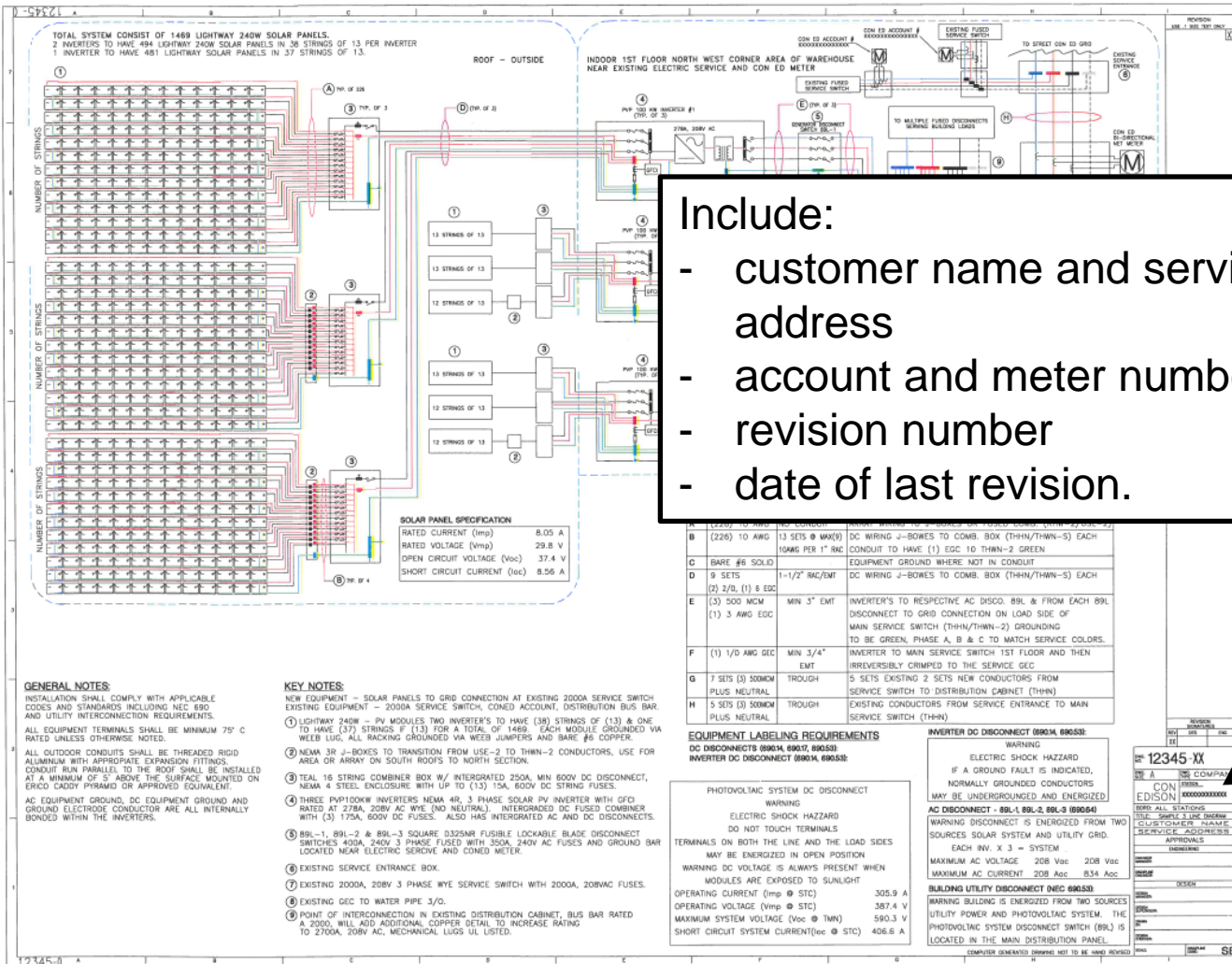


Include locations of:

- 89L
- Meter
- Inverters



Title Block



Include:

- customer name and service address
- account and meter number
- revision number
- date of last revision.

12345-XX

CON EDISON COMPANY

CON EDISON

BOARD ALL STATIONS

TITLE: SIMPLE 3 LINE DIAGRAM

CUSTOMER NAME

SERVICE ADDRESS

APPROVALS

(SIGNATURE)

12345-XX

CON EDISON COMPANY

CON EDISON

TITLE: SIMPLE 3 LINE DIAGRAM

CUSTOMER NAME

SERVICE ADDRESS

APPROVALS

(SIGNATURE)

12345-XX

CON EDISON COMPANY

CON EDISON

TITLE: SIMPLE 3 LINE DIAGRAM

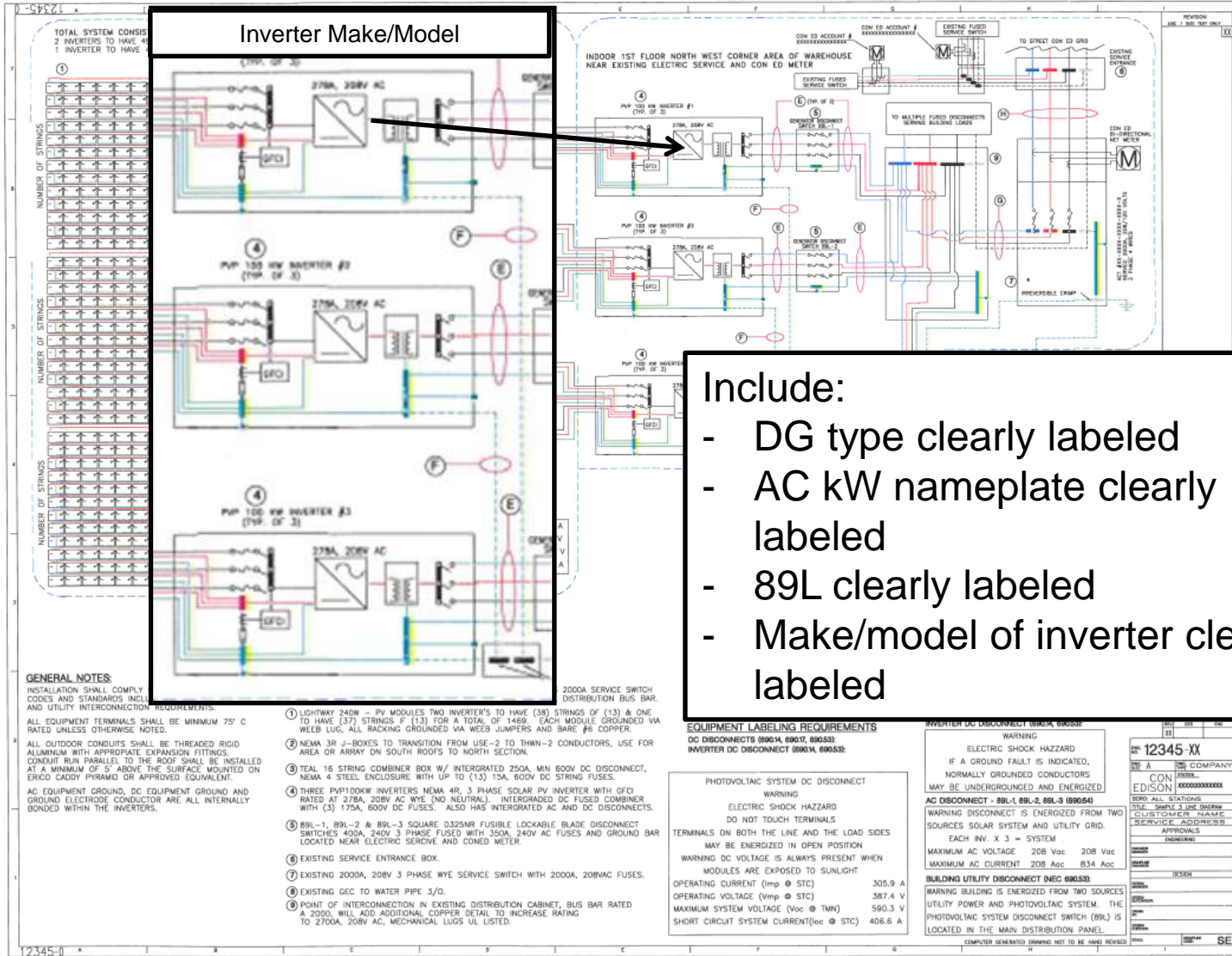
CUSTOMER NAME

SERVICE ADDRESS

APPROVALS

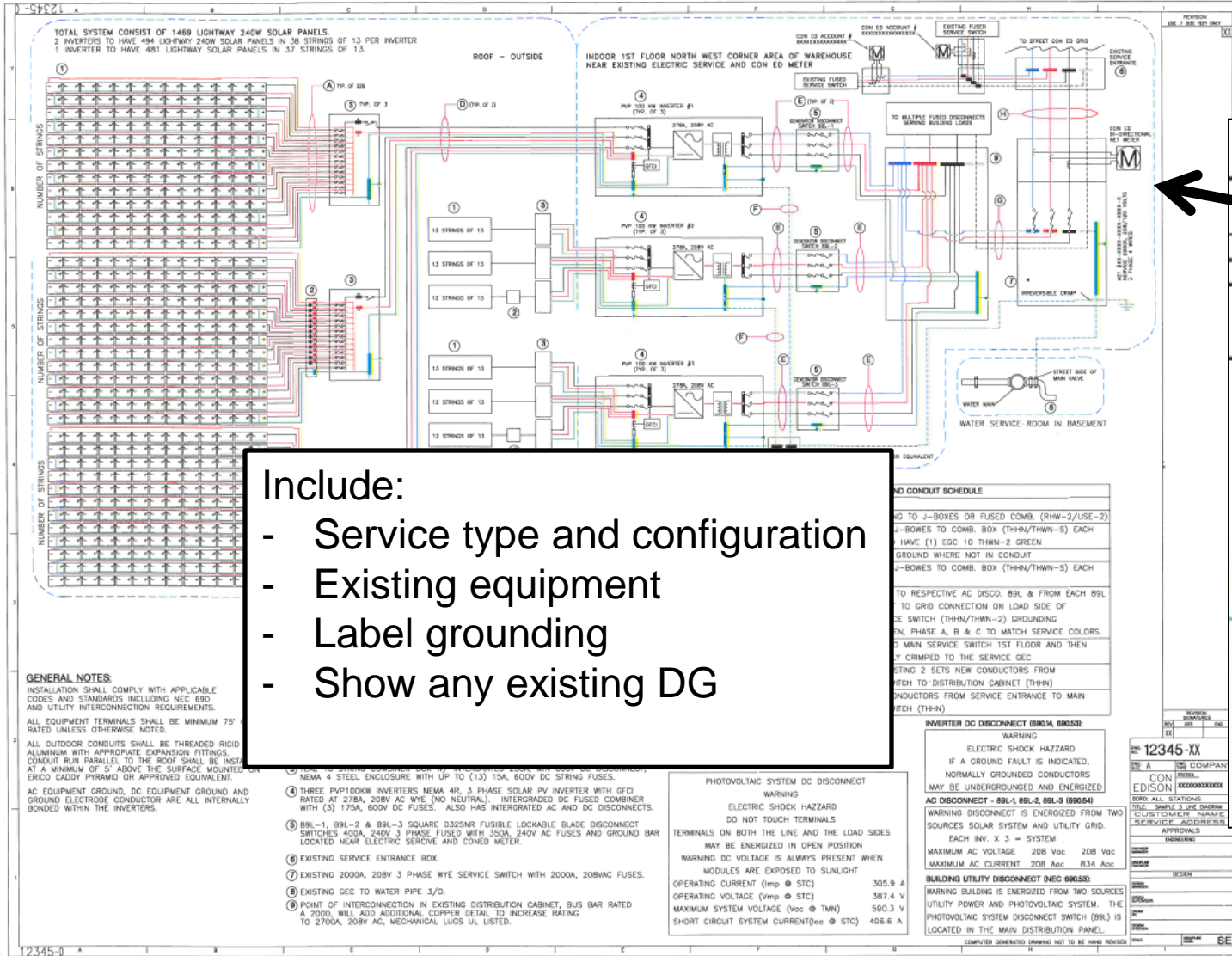
(SIGNATURE)

DG System Drawing Details



- Include:
- DG type clearly labeled
 - AC kW nameplate clearly labeled
 - 89L clearly labeled
 - Make/model of inverter clearly labeled

Service Characteristics



Include:

- Service type and configuration
- Existing equipment
- Label grounding
- Show any existing DG

ACT #XX-XXXX-XXXX-XXXX-X
 SERVICE 2000A, 208/120 VOLTS
 3 PHASE 4 WIRES

Service characteristics cont.

