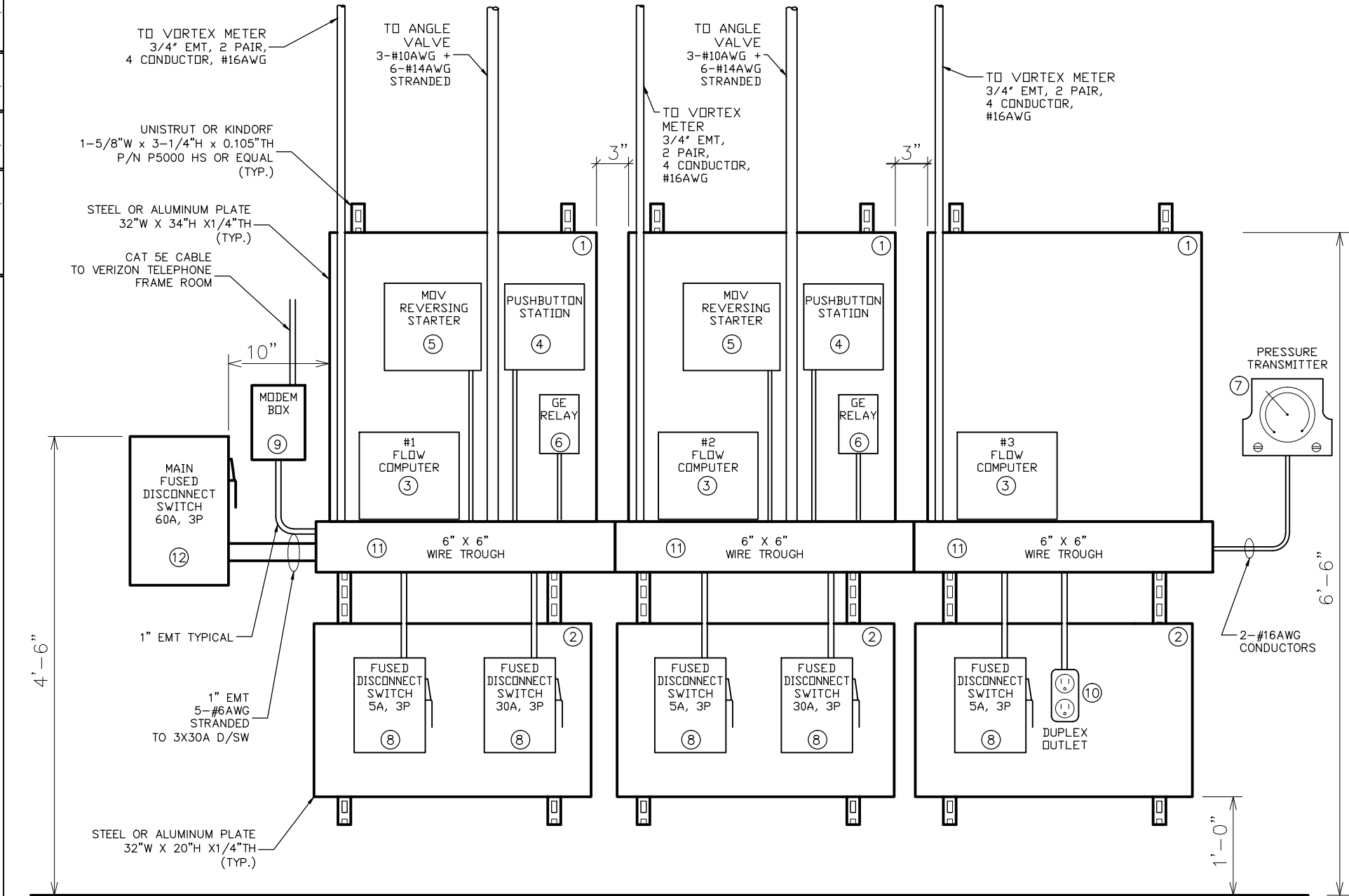


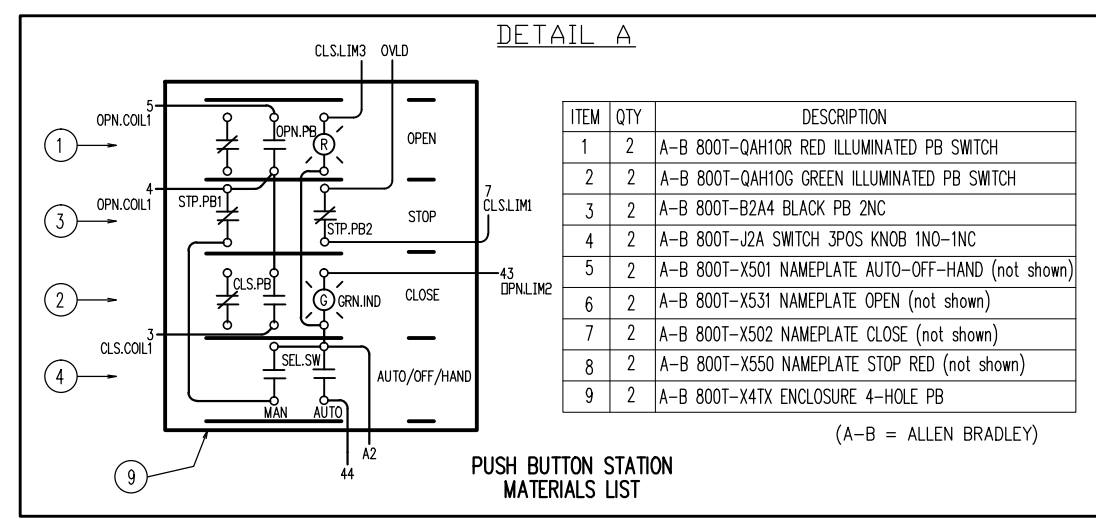
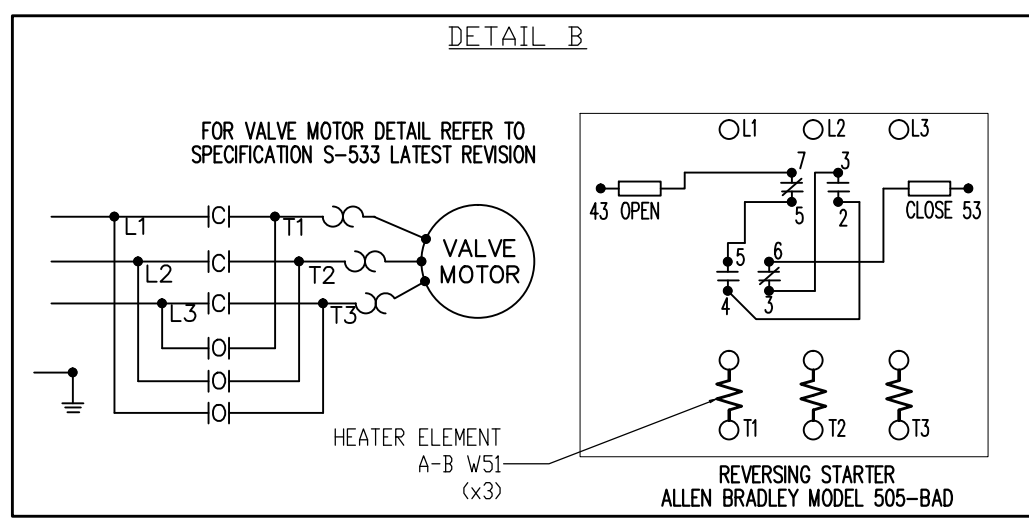
S-634	
REVISIONS	
10/31/03 KDD, J.	0
INITIAL DRAWING	
02/17/04 YIU, K.	1
03/21/07 YIU, K.	2
07/15/14 D.K.	3
DRAWING REORGANIZED AND TITLE CHANGED	



BILL OF MATERIAL			
ITEM	QTY	DESCRIPTION	SUPPLIED BY CONED
1	3	STEEL OR ALUMINUM PLATE 32"W x 34"H x 1/4"TH	NO
2	3	STEEL OR ALUMINUM PLATE 32"W x 20"H x 1/4"TH	NO
3	3	FLOW COMPUTER - KEP ST2 SUPERTROL (ES722ST2L10W15ETDRJEMNE) STYLE#ES722	YES
4	2	PUSHBUTTON STATION (SEE DETAIL A)	YES
5	2	REVERSING STARTER (SEE DETAIL B) (ALLEN BRADLEY P/N: 505-BAD)	YES
6	2	GE RELAY (P/N: RL 4RA022TJ)	YES
7	1	PRESSURE TRANSMITTER (ROSEMOUNT P/N: 3051S1CG4A2E12A1AM5Q4)	YES
8	5	ENCLOSURE FOR DISCONNECT SWITCH, FUSED 30A, 3P (SQUARE D PN: D321N) OR EQUIVALENT	NO
9	1	KEP MODEM/ENCLOSURE (KEP P/N: MS722-MPP56KN)	YES
10	1	3 PRONG DUPLEX OUTLET	NO
11	AS REQ'D	STEEL OR ALUMINUM WIRE TROUGH 6" x 6" INCLUDE KNOCKOUTS ON ALL SIDES AS REQUIRED	NO
12	1	ENCLOSURE FOR DISCONNECT SWITCH, FUSED 60A, 3P (SQUARE D PN: D322N) OR EQUIVALENT	NO

NOTES FOR CONTROL PANEL INSTALLATION::

1. THE BOTTOM EDGE OF THE PANEL ASSEMBLY SHALL BE A MINIMUM OF 1' ABOVE THE FLOOR.
2. MINIMUM OF 3" SPACE MUST BE PROVIDED BETWEEN ENCLOSURE/ELECTRICAL COMPONENT.
3. MINIMUM OF 3' CLEARANCE SHALL BE PROVIDED IN FRONT OF THE PANEL ASSEMBLY.
4. DETAIL "A" - PUSH BUTTON STATION CAN BE COMBINED WITH THE REVERSING STARTER IN ONE ENCLOSURE OR SEPARATE ENCLOSURES



PHYSICAL LAYOUT OF METER PANELS FOR VORTEX METER STATION WITH LIMITORQUE VALVES AND CONTROLS

CONSOLIDATED EDISON COMPANY OF N.Y., INC.
STEAM DISTRIBUTION ENGINEERING

INITIAL DATE: 10/31/03	DWG. NO.	REV.
REVISION DATE: 07/15/14	S-634	3
DWG NOT TO SCALE		