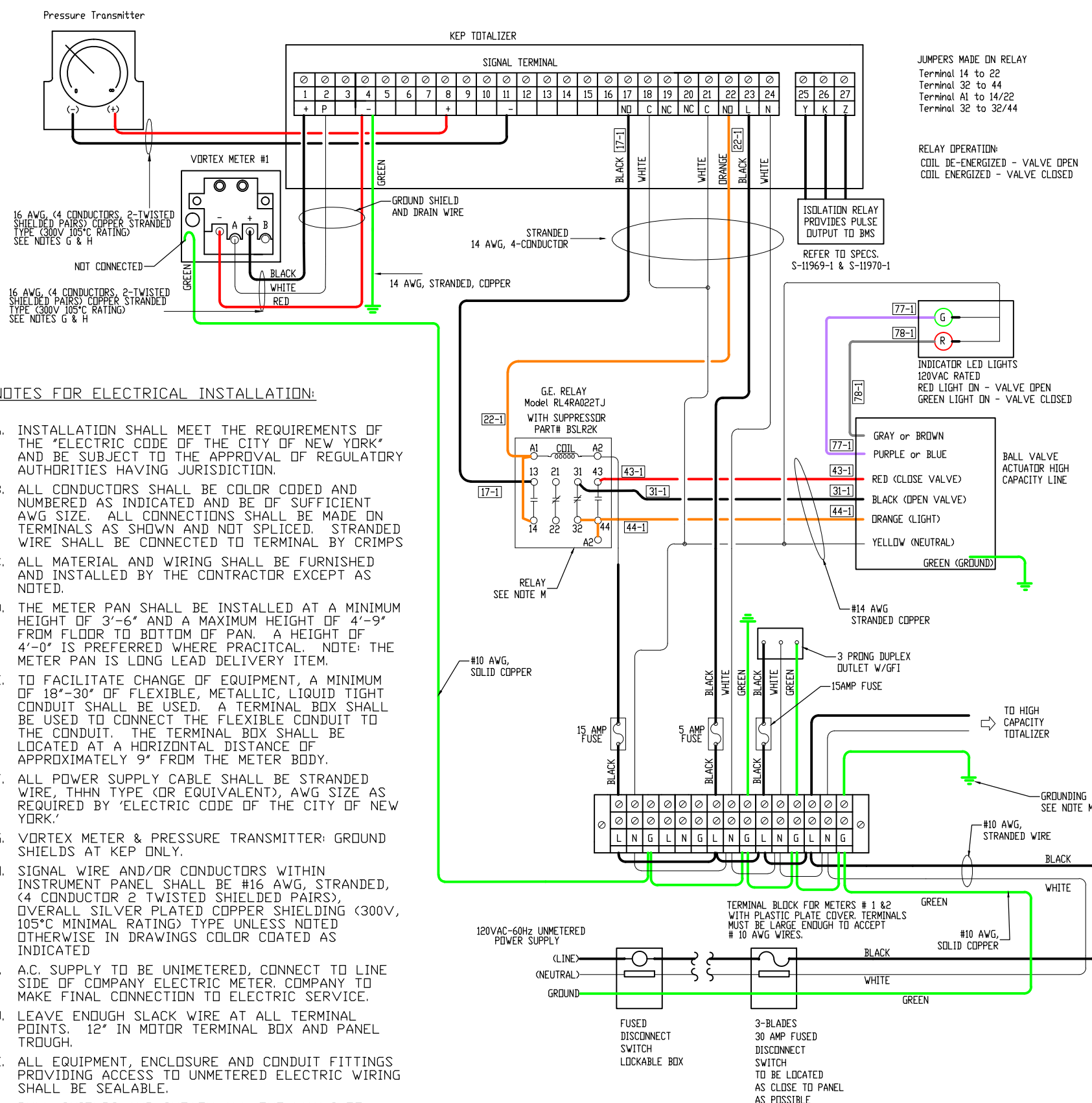
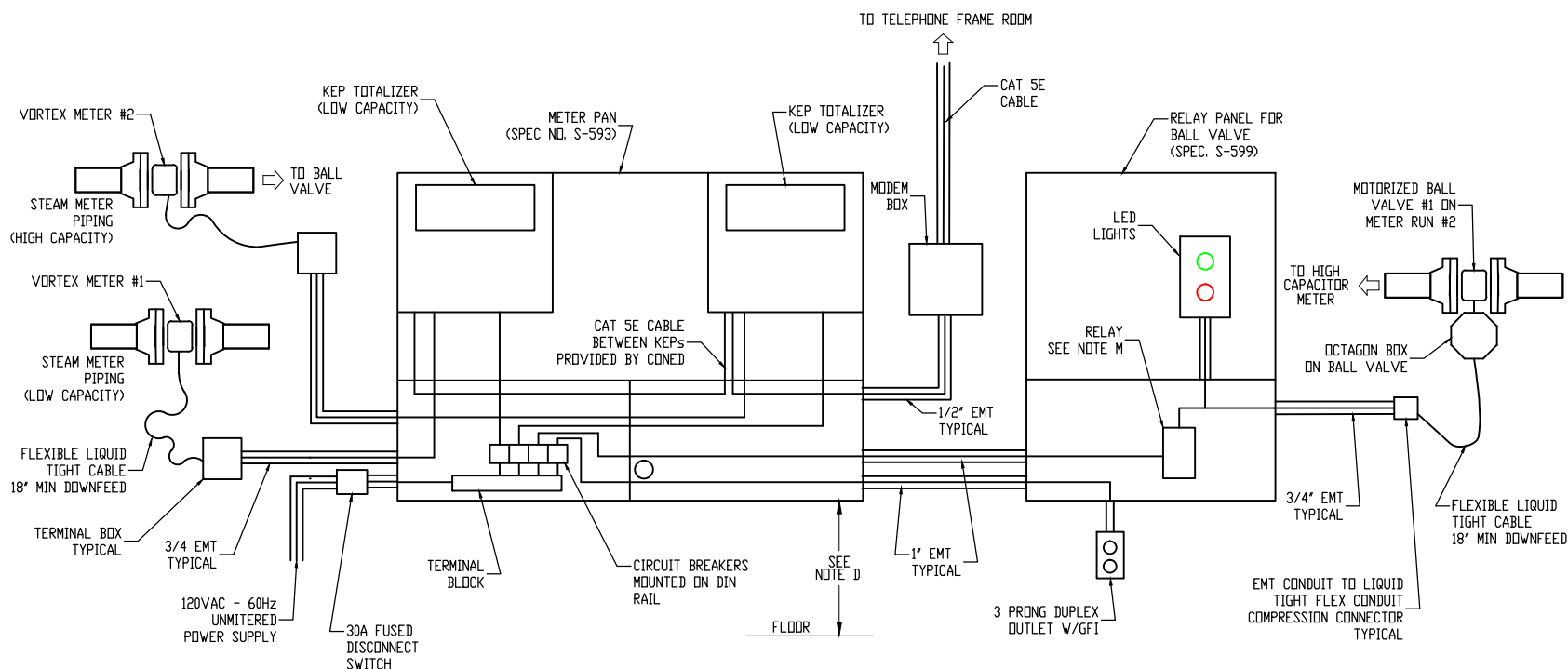


REVISIONS

02/07/02	0	WONG, J	NEW ISSUE
08/18/03		KOD, J, LIN A	
08/10/04		ARMAND, C	
11/14/05	5	ABDALLA, A	REVISED FOR DIGITAL METER INSTALLATION
08/15/06	6		ADDED #10 AWG GROUND WIRE FOR USE WITH DIGITAL VORTEX METER IN FUTURE
02/19/13	7	D.K., A.W.	RATING OF THE SIGNAL WIRE CHANGED TO 300V 105°C



NOTES FOR ELECTRICAL INSTALLATION:

- INSTALLATION SHALL MEET THE REQUIREMENTS OF THE "ELECTRIC CODE OF THE CITY OF NEW YORK" AND BE SUBJECT TO THE APPROVAL OF REGULATORY AUTHORITIES HAVING JURISDICTION.
- ALL CONDUCTORS SHALL BE COLOR CODED AND NUMBERED AS INDICATED AND BE OF SUFFICIENT AWG SIZE. ALL CONNECTIONS SHALL BE MADE ON TERMINALS AS SHOWN AND NOT SPLICED. STRANDED WIRE SHALL BE CONNECTED TO TERMINAL BY CRIMPS
- ALL MATERIAL AND WIRING SHALL BE FURNISHED AND INSTALLED BY THE CONTRACTOR EXCEPT AS NOTED.
- THE METER PAN SHALL BE INSTALLED AT A MINIMUM HEIGHT OF 3'-6" AND A MAXIMUM HEIGHT OF 4'-9" FROM FLOOR TO BOTTOM OF PAN. A HEIGHT OF 4'-0" IS PREFERRED WHERE PRACTICAL. NOTE: THE METER PAN IS LONG LEAD DELIVERY ITEM.
- TO FACILITATE CHANGE OF EQUIPMENT, A MINIMUM OF 18"-30" OF FLEXIBLE, METALLIC, LIQUID TIGHT CONDUIT SHALL BE USED. A TERMINAL BOX SHALL BE USED TO CONNECT THE FLEXIBLE CONDUIT TO THE CONDUIT. THE TERMINAL BOX SHALL BE LOCATED AT A HORIZONTAL DISTANCE OF APPROXIMATELY 9" FROM THE METER BODY.
- ALL POWER SUPPLY CABLE SHALL BE STRANDED WIRE, THHN TYPE (OR EQUIVALENT), AWG SIZE AS REQUIRED BY 'ELECTRIC CODE OF THE CITY OF NEW YORK.'
- VORTEX METER & PRESSURE TRANSMITTER: GROUND SHIELDS AT KEP ONLY.
- SIGNAL WIRE AND/OR CONDUCTORS WITHIN INSTRUMENT PANEL SHALL BE #16 AWG, STRANDED, (4 CONDUCTOR 2 TWISTED SHIELDED PAIRS), (OVERALL SILVER PLATED COPPER SHIELDING (300V, 105°C MINIMAL RATING) TYPE UNLESS NOTED OTHERWISE IN DRAWINGS COLOR COATED AS INDICATED
- A.C. SUPPLY TO BE UNMETERED, CONNECT TO LINE SIDE OF COMPANY ELECTRIC METER. COMPANY TO MAKE FINAL CONNECTION TO ELECTRIC SERVICE.
- LEAVE ENOUGH SLACK WIRE AT ALL TERMINAL POINTS. 12" IN MOTOR TERMINAL BOX AND PANEL TROUGH.
- ALL EQUIPMENT, ENCLOSURE AND CONDUIT FITTINGS PROVIDING ACCESS TO UNMETERED ELECTRIC WIRING SHALL BE SEALABLE.
- PULL SHIELDS AND SHEATH ALL THE WAY INTO FLOW COMPUTER (TOTALIZER).
- GROUNDING:
 - BUILDING PROVIDED GROUNDING STRAP
 - WATER MAIN SHUT-OFF, STREET SIDE
 - BUILDING STEEL, SCRAPED CLEAN
 - TEST FOR 1 OHM RESISTANCE TO GROUND
 - NO GROUND CT CABINET OR 10PT METER PAN

WIRING DIAGRAM FOR TWO VORTEX METERS (ANALOG VERSION) WITH ONE BALL VALVE/PRESSURE TRANSMITTER AND MAGNECRAFT RELAY

CONSOLIDATED EDISON COMPANY OF N.Y., INC.
STEAM DISTRIBUTION ENGINEERING

INITIAL DATE: 02/07/02 DWG. NO. S-631 REV. 7
 REVISION DATE: 02/19/13
 DWG NOT TO SCALE