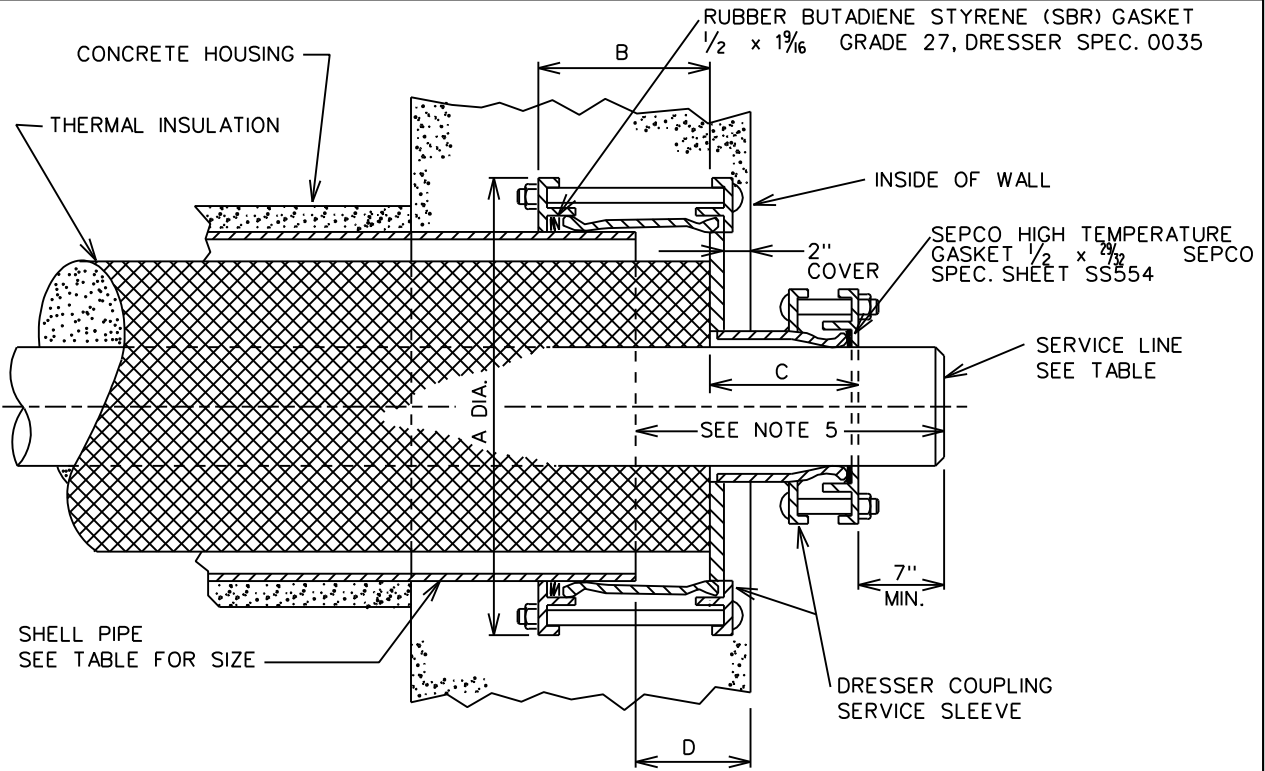


0-0826-03

REVISIONS

6	CHG'D CONDUIT GASKET TO RUBBER ALTERED TITLE H.M. 05/31/67
7	ADDED INSULATING JOINT & NOTES 4 & 5 C.W. 08/14/73
8	REMOVED INSULATING JOINT & NOTES 4 & 5 A.D. 01/19/79
9	CHG'D TITLE & SERV. SLEEVE TO SPIRAL WELD CONDUIT, DIM. D UPDATED SPECS. J.L. 05/29/79
10	ADDED NOTE 4 A.D. 08/21/79
11	REMOVED STYLE 39 COUPLING ADDED ITEM 9 & NOTE 5 J.L. 05/09/80
12	ADDED CONC. HOUSING, KEVLAR GASKET NOTE 6 & UPDATE NOTE 2 C.W. 11/02/87
13	REVISED BY GENTEK 07/15/03
14	CONVERTED TO MICROSTATION; EDITORIAL CHANGES R.P.R. 7/6/05
15	REVISED NOTES, TABLES & ELEV LRD(SEA) 05/12/06
	ADDED 20 INCH DRESSER COUPLING K.K., D.K 01/21/16



SIZE OF SERVICE LINE (IN)	* DRESSER COUPLING STYLE 62 TYPE 2 NOMINAL SIZE	SHELL PIPE SIZE O.D.	DIMENSIONS IN INCHES			
			A	B	C	D
1	1" X 6"	6 ⁵ / ₈ "	10 ¹ / ₂ "	5 ³ / ₁₆ "	6 ¹³ / ₁₆ "	4
2	2" X 8"	8 ⁵ / ₈ "	12 ¹ / ₁₆ "	5 ³ / ₁₆ "	7 ³ / ₈ "	4
3	3" X 10"	10 ³ / ₄ "	14 ⁵ / ₈ "	5 ³ / ₁₆ "	7 ³ / ₈ "	4
4	4" X 12"	12 ³ / ₄ "	16 ³ / ₄ "	5 ³ / ₁₆ "	7 ⁵ / ₈ "	4
6	6" X 16"	16"	20	7 ⁵ / ₁₆ "	7 ⁹ / ₁₆ "	5
8	8" X 18"	18"	22	7 ⁵ / ₁₆ "	7 ⁹ / ₁₆ "	5
10	10" X 20"	20"	24 ¹ / ₁₆ "	7 ⁵ / ₁₆ "	7 ⁹ / ₁₆ "	5
12	12" X 24"	24"	28	7 ⁵ / ₁₆ "	7 ⁹ / ₁₆ "	5
16	16" X 28"	28"	33	7 ⁵ / ₁₆ "	8 ¹ / ₁₆ "	5
20	20" X 32"	32"	37	7 ⁵ / ₁₆ "	7 ⁹ / ₁₆ "	5 ³ / ₄ "

* SEE "APPROVED STEAM SERVICE EQUIPMENT" BOOKLET

NOTES:

1. INSTALL AND COMPRESS GASKETS BEFORE THE WALL IS POURED.
2. MATERIAL FOR SHELL PIPE SHALL BE IN ACCORDANCE WITH CON EDISON SPEC. S-9035.
3. DURING INSTALLATION, REINFORCING RODS IN THE WALL SHALL CLEAR SHELL PIPE AND DRESSER COUPLING BY 6 INCHES.
4. DRESSER COUPLING SERVICE SLEEVE FURNISHED AND INSTALLED BY CUSTOMER.
5. WHEN INSTALLING SERVICE LINE THROUGH WALL, A MINIMUM EXTENSION OF 19 INCHES IS REQUIRED TO ALLOW FOR CUT OFF OF STEEL BLANKS OR END CAPS.
6. COUPLING BOLTS MAY BE REVERSED TO FACILITATE INSTALLATION.

SUPERSEDES EO-7884-C
EO-7885-B
EO-7886-C

CUSTOMER INSTALLATION
OF DRESSER COUPLING SLEEVE
STEAM SERVICES 1" TO 20"

CONSOLIDATED EDISON COMPANY OF N.Y., INC.
STEAM DISTRIBUTION ENGINEERING

DATE 11-25-59	DWG. NO. E0-9380-C	REV. 15
LAST REV. 01-21-16		