

MES-395-A

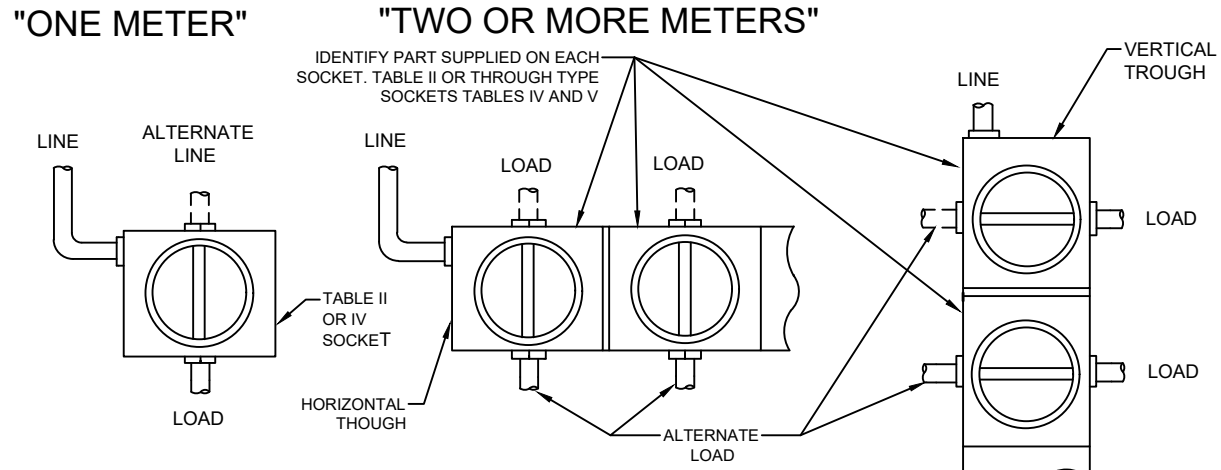
REVISIONS

T. L. MATONTI P. PHILIPPIDIS	16
REDRAWN TO CADAM ADDED "NEUTRAL WIRE" WHERE MISSING, CHG'D "BONDING TERMINAL" TO "NEUTRAL BLOCK" MUST BE INSUL. WHEN INSTL. ON LOAD SIDE OF DISCONNECT. V.D. 09-01-1993	
V. DANGANA	17
ADDED NEUTRAL WIRE ON 120/208 VOLT LOAD. UPDATED DWG. V.D. 03-14-1996	
V. FERGUSON	18
CHANGE NOTE 2.	
G.D. 07-24-2003	
C. MAGOULAS	19
CHANGE TITLE BLOCK.	
N.P. 08-25-2009	
R. LEE	20
REVIEWED NO CHANGED MADE	
L.L. 01-26-2018	
R. LOPEZ	21
THE DRAWING WAS UPDATED AND CLEANED UP.	
R.L. 07-15-2024	
A. MILLER	22
NOTE 1 WAS CHANGED TO MATCH MES-394.	
R.L. 05-1-2025	

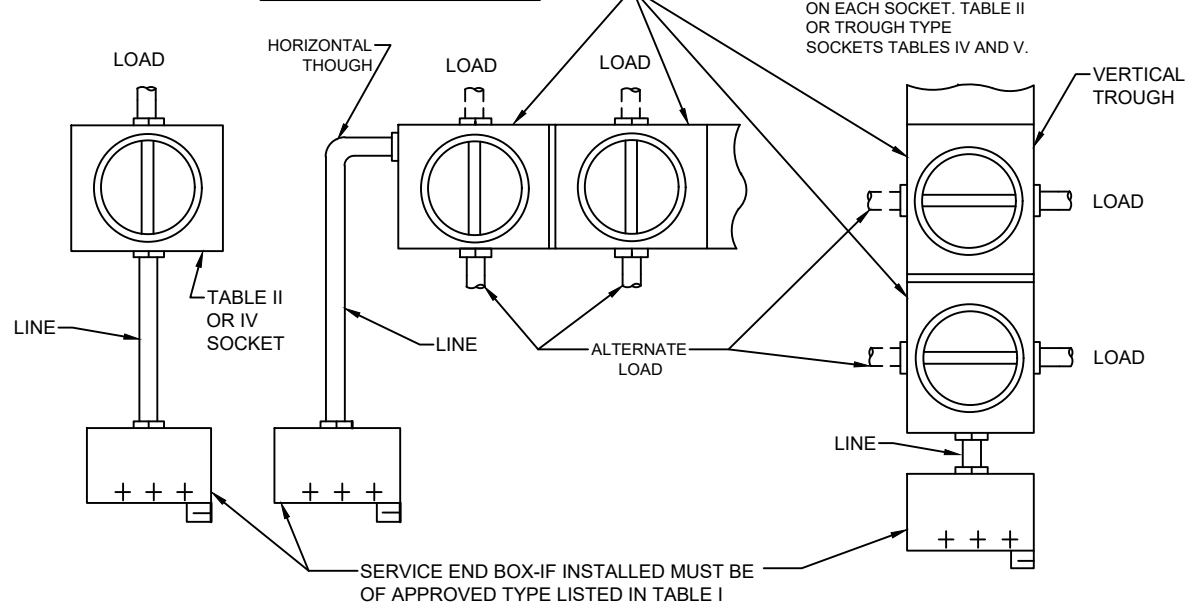
FIELD MANUAL
NO. 4 SERVICE INSTL.
SECTION 6:
METER INSTL.
FIELD MANUAL
NO. 16 SERV. INSPEC.
& CONTRL.:
SECTION 3:
ELECTRIC METERING.

INDOOR METER SOCKET INSTALLATION

TOP ENTRY



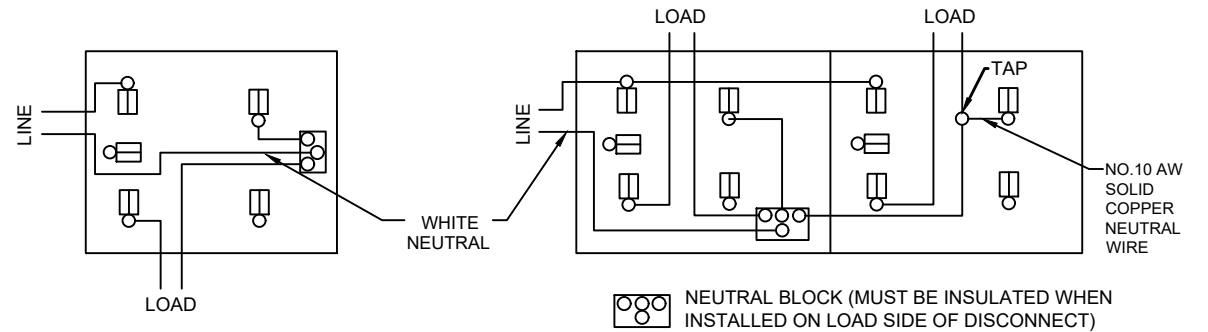
BOTTOM ENTRY



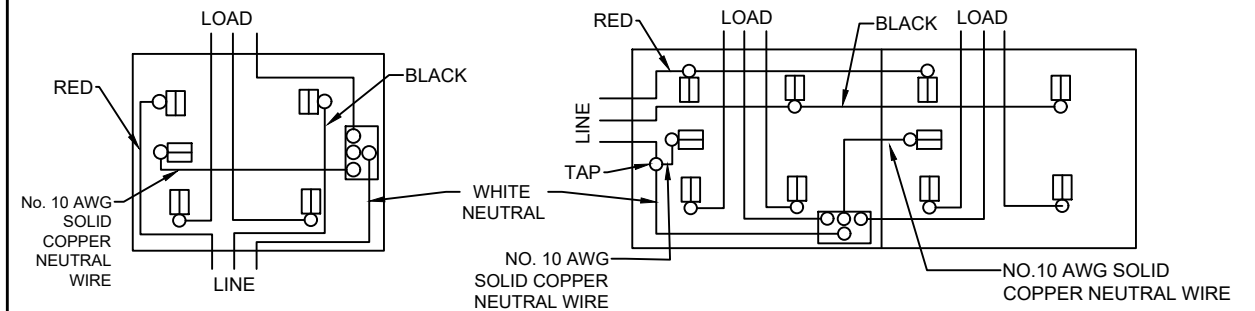
NOTES:

- 1) A NEW INSTALLATION OF ONE- AND TWO-METER SOCKETS FOR NON-RESIDENTIAL CUSTOMERS AND FOR ONE-, TWO- AND THREE-FAMILY HOUSES MUST BE INSTALLED ON THE LINE SIDE OF THE SERVICE DISCONNECT THREE TO SIX METER SOCKETS FOR NON-RESIDENTIAL CUSTOMERS AND METER SOCKETS SERVING MORE THAN THREE-FAMILY SHOULD ALSO BE INSTALLED ON THE LINE SIDE OF THE SERVICE DISCONNECT. WHERE THE EXISTING SERVICE DISCONNECT IS ALREADY ON THE LINE SIDE OF THE METER SOCKETS AND ADDING ANOTHER METER SOCKET REQUIRES REPLACING THE CURRENT SERVICE DISCONNECT, THE NEW METER SOCKETS MUST BE INSTALLED ON THE LINE SIDE OF THE SERVICE DISCONNECT.
- 2) METER SOCKETS SHALL BE INSTALLED SO THE METER CENTER OPENING IS 4 FEET 6 INCHES MINIMUM TO 5 FEET 6 INCHES MAXIMUM ABOVE GRADE LEVEL. THE LOWEST METER SOCKET ON VERTICAL MULTIPLE POSITION (3 METERS OR LESS) METER PANS SHALL BE NO LOWER THAN 2 FEET MINIMUM FROM METER CENTER LINE OPENING TO FINISHED GRADE LEVEL.
- 3) METER SOCKETS SHALL BE INSTALLED AS CLOSE AS PRACTICABLE TO THE POINT OF SERVICE ENTRANCE BUT SHALL NOT CONCEAL THE POINT WHERE AN UNDERGROUND SERVICE CONDUIT COMES THROUGH THE BUILDING WALL.
- 4) THE CONTRACTOR MUST CONNECT THE COLOR-CODED SERVICE CONDUCTORS TO ALL SOCKET JAWS EXACTLY AS SHOWN. COLORS ARE THE SAME AS REQUIRED BY PAR.B-30-62.0-0.2 FROM THE POINT OF SERVICE ENTRANCE TO THE METER OF THE ELECTRICAL CODE OF THE CITY OF NEW YORK. PHASE IDENTIFICATION BY COLOR SHALL BE MAINTAINED SOCKETS.
- 5) ANY ENCLOSURE INCLUDING A CONDUIT, INSTALLED BETWEEN THE POINT OF SERVICE ENTRANCE AND THE METER, WHICH ALLOWS ACCESS TO THE SERVICE WIRING, SHALL BE SEALABLE.
- 6) METER SOCKETS ARE TO BE SET PLUMB AND LEVEL.
- 7) A BLANK COVER PLATE (TABLE III) MUST BE INSTALLED ON EACH METER SOCKET, OR SOCKETS SHALL BE OTHERWISE PROTECTED IN AN EQUIVALENT MANNER.
- 8) THERE SHALL BE A CLEAR SPACE OF AT LEAST 3 FEET IN FRONT OF ALL SOCKETS.
- 9) FOR 120/20 VOLT SERVICE, THE COMPANY WILL CONNECT THE CONTRACTOR'S COLOR CODED CONDUCTORS TO SERVICE CONDUCTORS WITH PHASE SEQUENCE SO THAT FOR 3 WIRE SERVICE BLACK LEADS RED.
- 10) WHEN SERVICE IS ALIVE, CORRECTNESS OF CONNECTIONS CAN BE DETERMINED AT THE METER SOCKETS WITH A PHASE SEQUENCE INDICATOR.
- 11) REFERENCE TO TABLES APPLIES TO "APPROVED ELECTRIC SERVICE EQUIPMENT" LISTING IN BOOK ENTITLED "REQUIREMENTS FOR ELECTRIC SERVICE INSTALLATIONS."
- 12) SEE MES 447 FOR WATTHOUR METER SOCKETS ON LOAD SIDE OF SERVICE DISCONNECT.
- 13) FOR STREET CELEBRATIONS, INSTALL A FIVE JAW WATTHOUR METER SOCKET FOR 3-WIRE SUPPLY OR FOR 2-WIRE SUPPLY TO ANY LOAD WITH OR WITHOUT DEMAND. INSTALL A SEVEN JAW WATTHOUR METER SOCKET FOR 4-WIRE SERVICE

WIRING DIAGRAMS
120 VOLT, 2-WIRE SERVICE

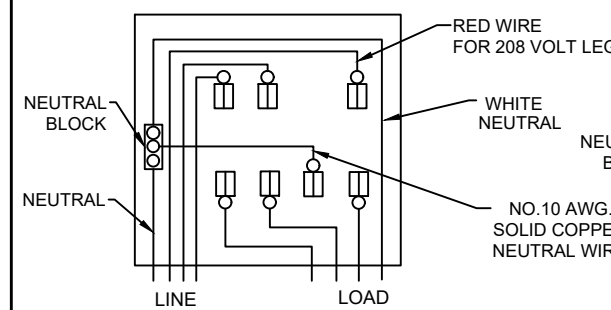


120/208 VOLT OR 120/240 VOLT, 3 WIRE LOAD

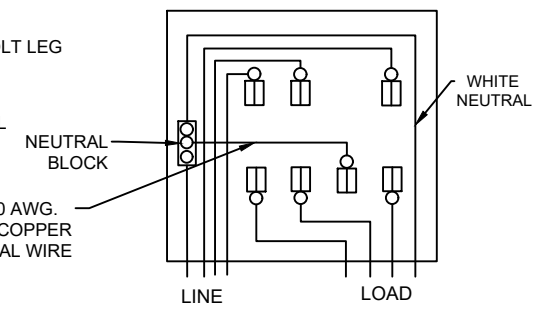


STREET CELEBRATION

120/240 VOLT 3-PHASE, 4-WIRE DELTA SERVICE



120/208 VOLT 4-WIRE WYE SERVICE



INSTALLATION OF INDOOR WATTHOUR METER SOCKETS ON LINE SIDE OF SERVICE DISCONNECTS

CONSOLIDATED EDISON COMPANY OF N.Y., INC. ELECTRIC METER SHOP

DRAWN BY:
RANDY LOPEZ

SCALE: N/A
UNITS: INCHES

COMPUTER GENERATED DRAWING NOT TO BE HAND REVISED

FOR APPROVAL

DIV	SIGNATURE	DATE	DATE: 3/28/1952
	<i>Adam Miller</i>	May 4, 2025	LAST REV: 7/15/2024
			APPROVED
DWG NO.	MES-395-A	REV. 22	SUPERVISOR: CHARLES FELDMAN
			SECTION MANAGER