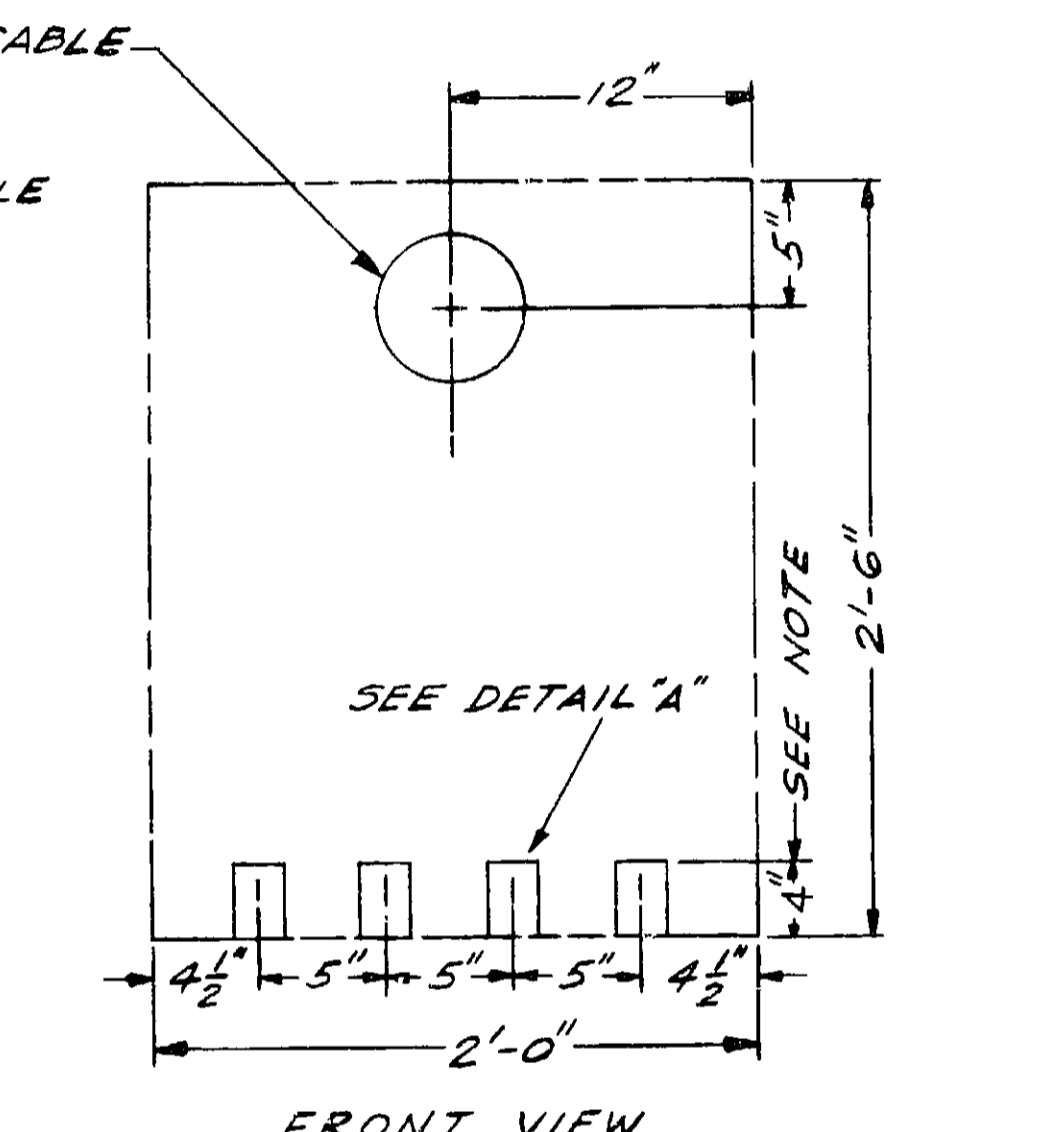
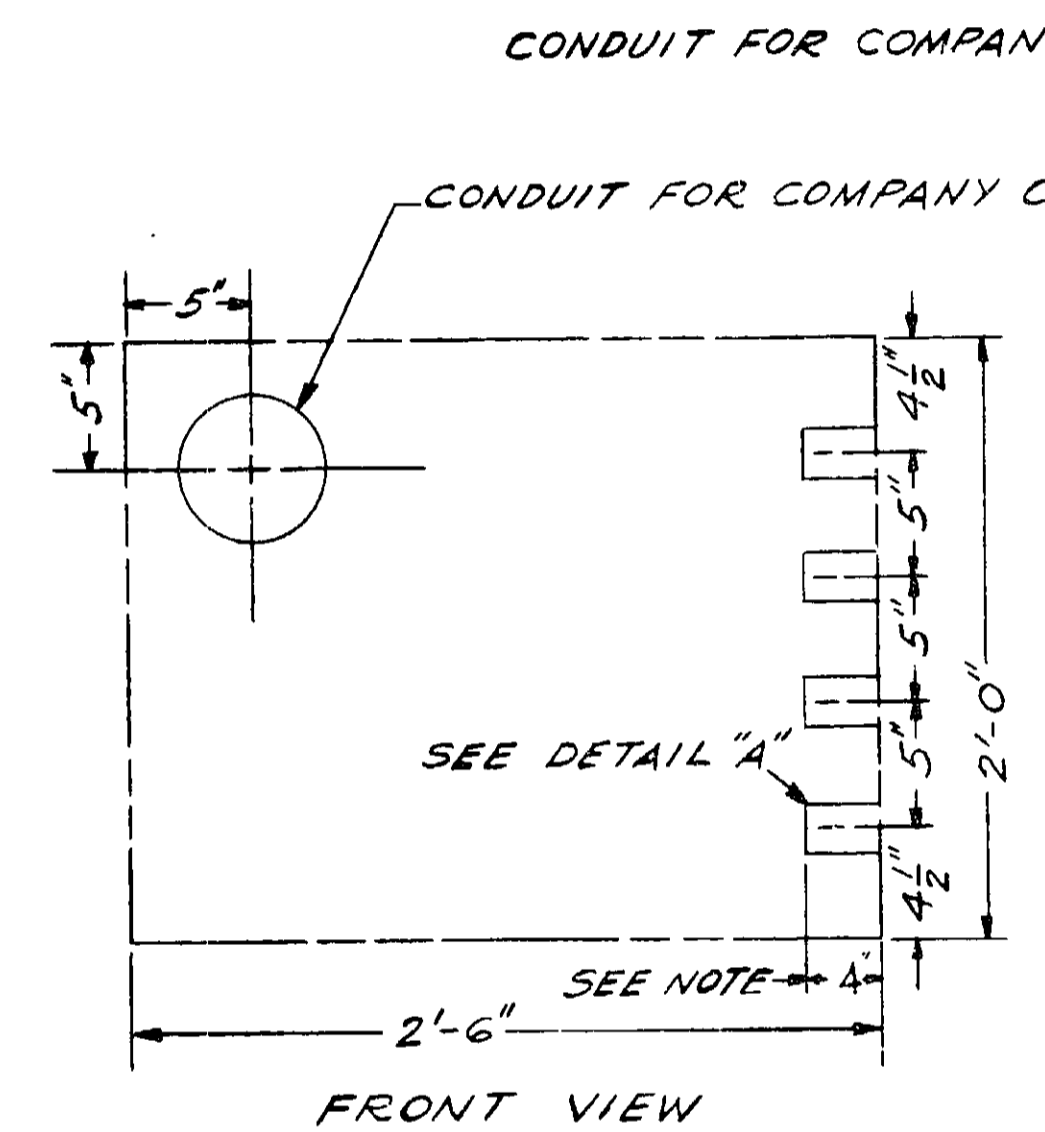
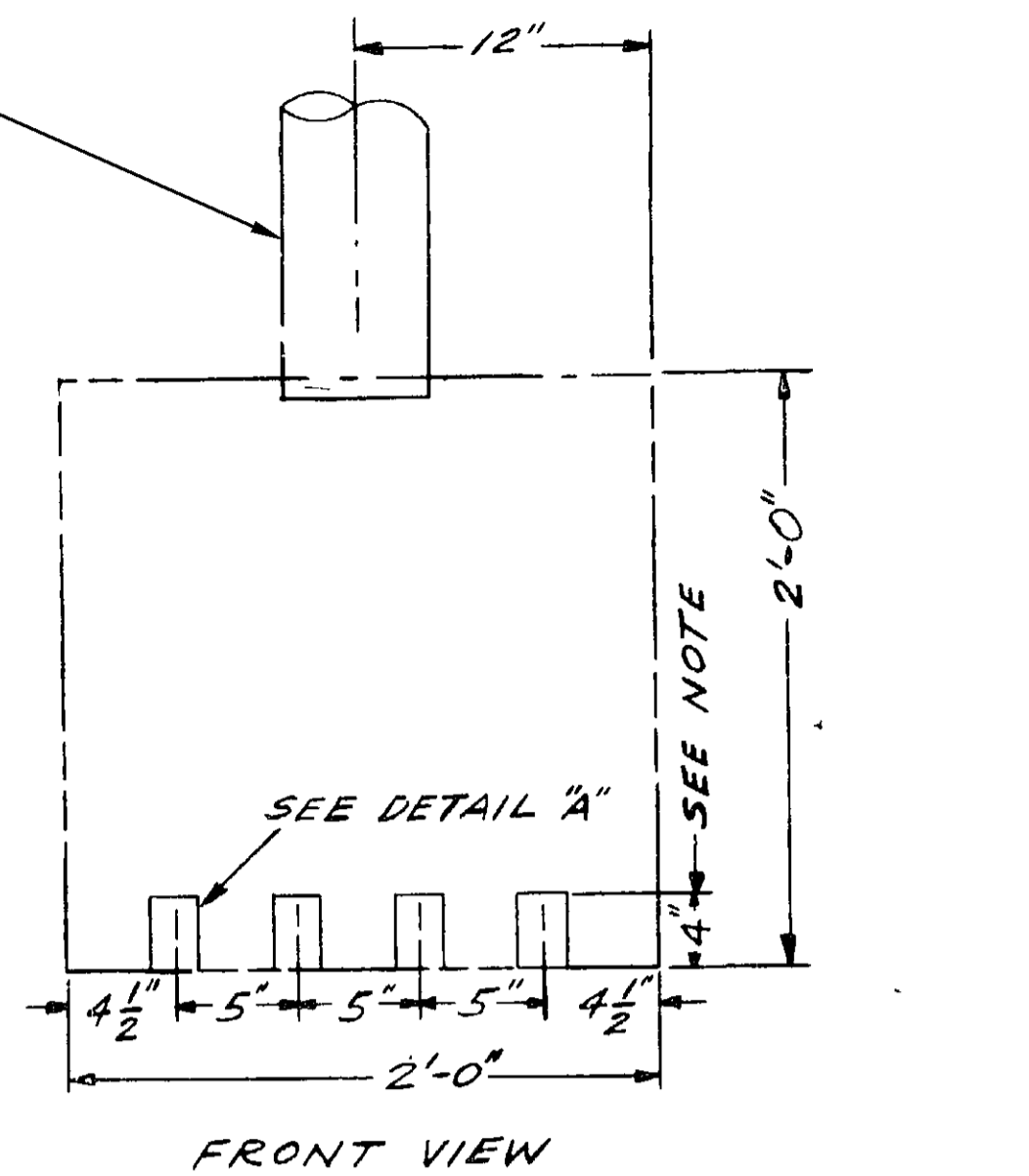
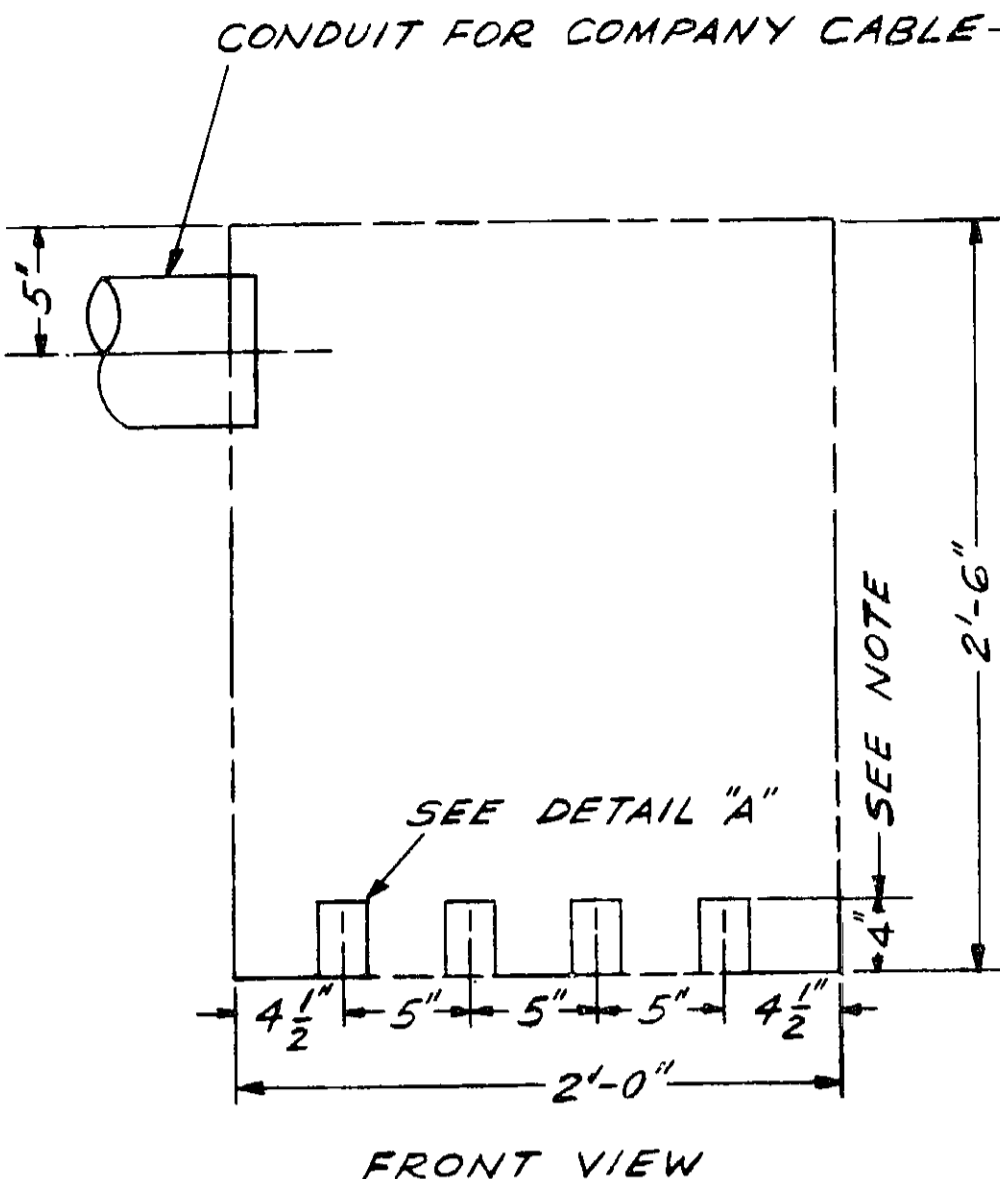
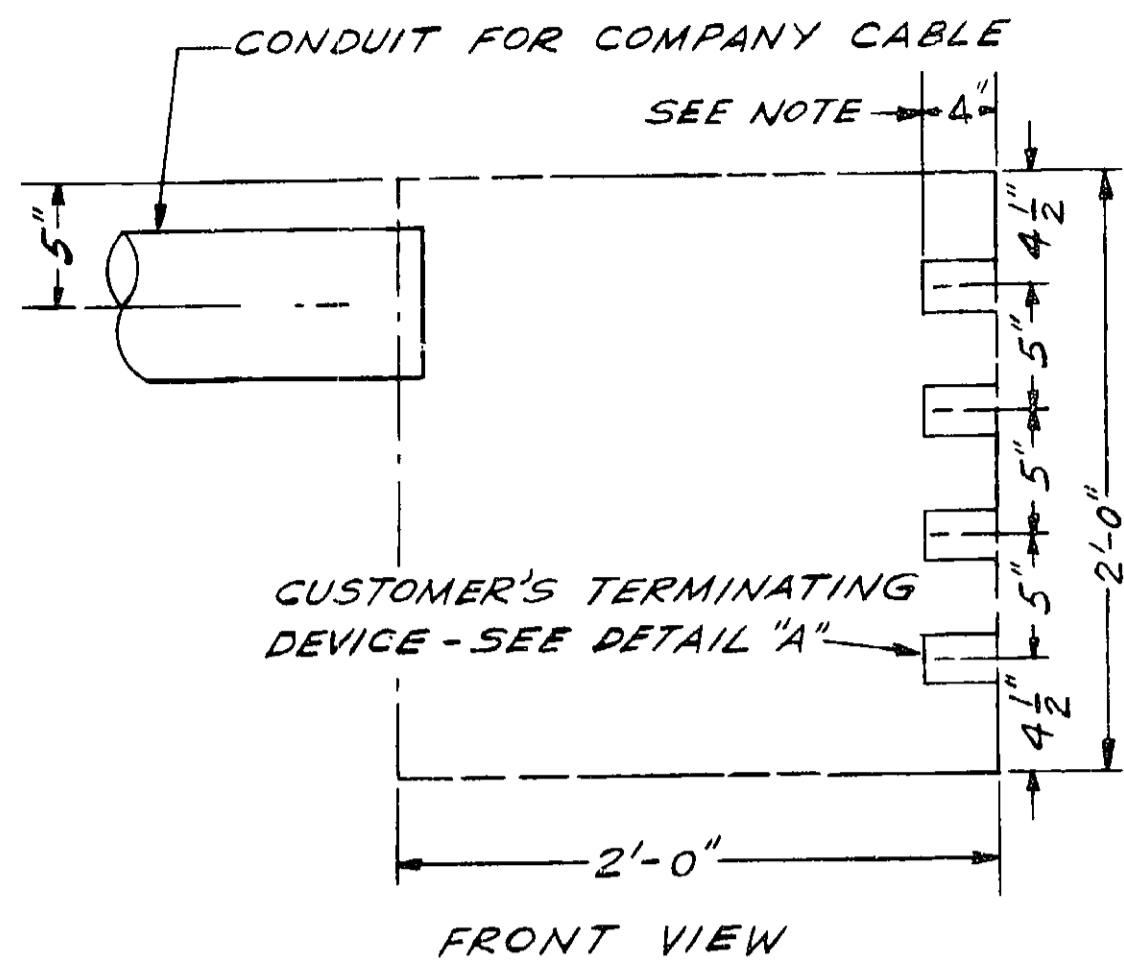
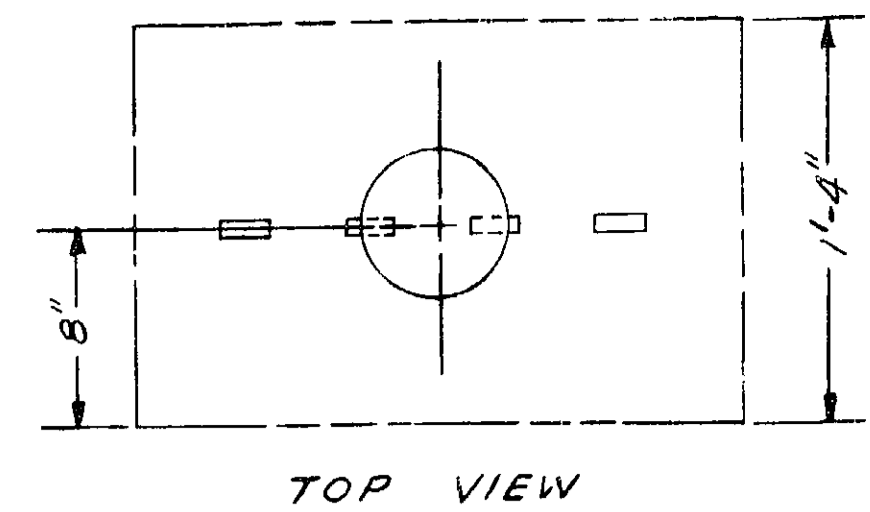
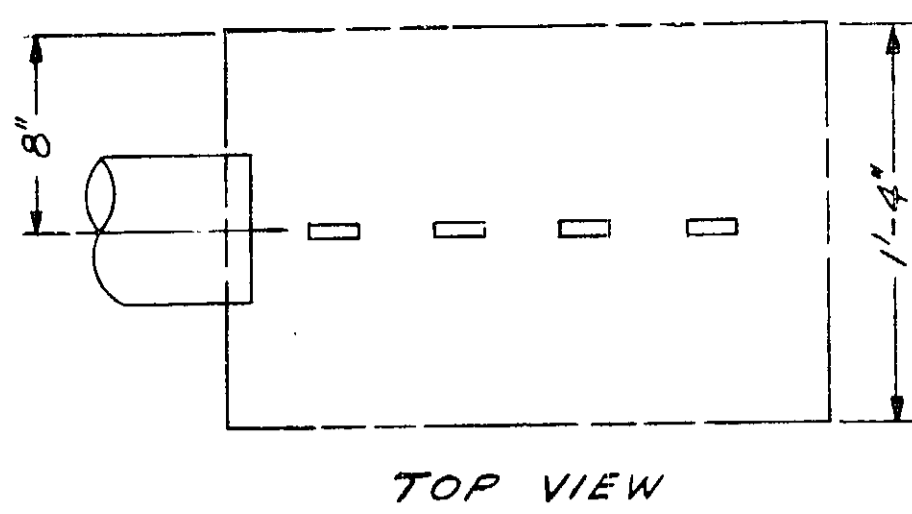
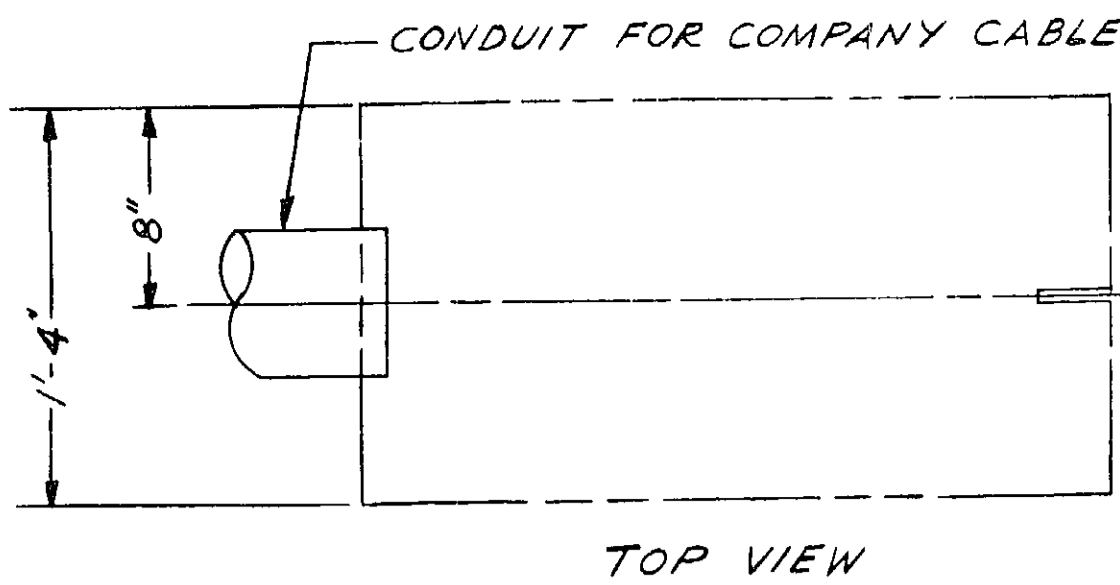


REVISIONS	
4	CHG. TERMINAL DETAIL, ADDED 750 MCM AL. C.W. 2-18-70
5	UPDATED, CHG. TITLE & FILING INFO. J.L. 5-24-85
6	THOMAS HUI 2/20/04
7	ADDED RECOMMENDED STANDARD CABLE SIZES NOTE. REMOVED ALUMINUM FOR TERMINAL MATERIAL. CHANGED TERMINAL DEVICE THICKNESS FROM 1/4" TO 1/2"
8	ADDED NOTE 6. ADDED SIGNAGE DETAIL. ADDED HANDLES TO COVER. ADDED INSULATING BARRIERS. REMOVED 600 KCMIL TEXT FROM COPPER SIZE TABLE
9	ADDED THE 600 KCMIL NOTE BACK TO THE RECOMMENDED STANDARD CABLE SIZE TABLE.



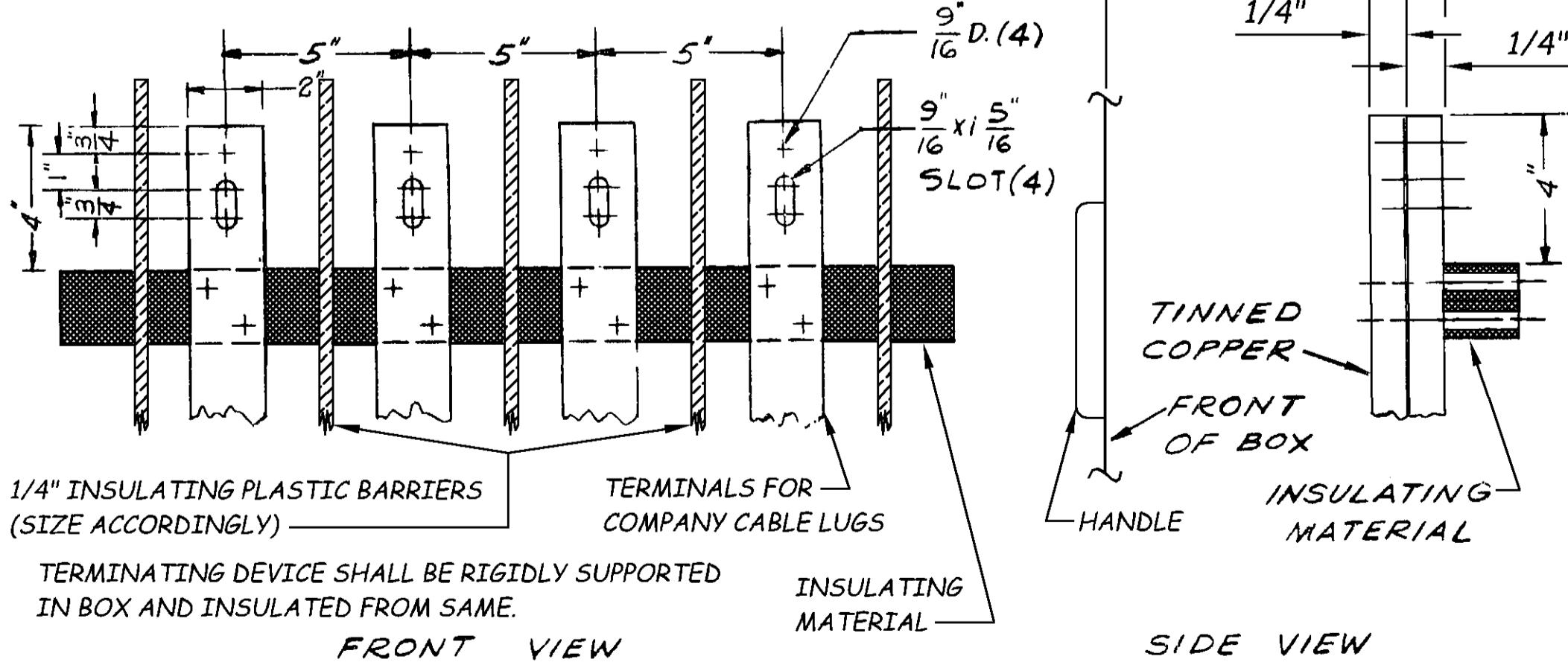
NOTES:

- THE RECOMMENDED TYPES OF CONNECTORS AND METHOD OF CONNECTIONS ARE GIVEN IN SPEC. EO-5403.
- THE CUSTOMER SHALL PROVIDE AND CONNECT HIS SERVICE CABLES TO A SUITABLE COPPER TERMINATING DEVICE SECURED TO BOX, UNDER ANY OF THE FOLLOWING CONDITIONS:
 - A) WHEN COPPER OR ALUMINUM CABLES OTHER THAN THOSE LISTED UNDER RECOMMENDED STANDARDS ARE USED:
 - B) WHEN THERE WILL BE 3 OR MORE SETS OF CUSTOMER CABLES INTO OR OUT OF THE SERVICE END BOX.
- THESE ARE MINIMUM REQUIREMENTS FOR CONNECTION OF THE COMPANY'S CABLES AND DO NOT COVER REQUIREMENTS FOR CUSTOMER'S CABLES.
- NO CUSTOMER CABLES SHALL OCCUPY SPACE IN AREA SHOWN INSIDE END BOXES.
- A BOX ENCLOSING THE REQUIRED SPACE SHALL CONFORM TO THE FOLLOWING:
 - A) BOX SHALL BE IDENTIFIED BY THE MANUFACTURER'S NAME.
 - B) BOX SHALL BE MADE OF GALVANIZED SHEET STEEL AND HAVE A FINISH OF GRAY ENAMEL.
 - C) THE GAUGE OF THE STEEL SHALL CONFORM WITH THE REQUIREMENTS OF THE UNDERWRITERS LABORATORIES INC.
 - D) ALL REMOVABLE BOX COVERS SHALL BE SEALABLE AND BE EQUIPPED WITH TWO HANDLES PER COVER.
 - E) THE CUSTOMER SHALL SUBMIT FOR COMPANY APPROVAL ANY PROPOSED CHANGE IN DESIGN OF BOXES INDICATED ON THIS DRAWING.
- 120 / 208 VOLTS - BLACK LABEL WITH WHITE LETTERING LOCATED ON THE INSIDE AND OUTSIDE OF THE ENCLOSURE.



SIGNAGE
(SEE NOTES #6)

SPECIAL NOTE:
THIS SPECIFICATION IS NOT TO BE USED FOR 265/460 - VOLTS



DETAIL "A" - CUSTOMER'S TERMINATING DEVICE
4" LENGTH IS REQUIRED FOR CONNECTION OF LUGS.

REF. DWGS:

BUILDINGS WITH BASEMENTS AT PROPERTY LINE - EO-6208-D	
BUILDINGS WITH BASEMENTS BACK OF PROPERTY LINE - EO-6209-D	
BUILDINGS WITHOUT BASEMENTS AT PROPERTY LINE - EO-6211-D	
BUILDINGS WITHOUT BASEMENTS BACK OF PROPERTY LINE - EO-6212-D	
BUILDINGS WITH SUITABLE SUB-SIDEWALK SPACE OUTSIDE OF PROPERTY LINE	EO-6214-D
SPACE REQUIREMENTS - MAX 2-500 KCMIL COPPER CABLES PER PHASE	EO-9072-B
SPACE REQUIREMENTS - MAX 3-500 KCMIL COPPER CABLES PER PHASE	EO-9073-B

FOR 265/460V SPACE REQUIREMENTS - MAX 1-500 KCMIL COPPER CON ED CABLE PER PHASE 348209

RECOMMENDED STANDARD CABLE SIZES:
 COPPER - #6, #2, 2/0, 4/0, 500 KCMIL: CON EDISON
 #6, #2, 2/0, 4/0, 500 KCMIL, 600 KCMIL: CUSTOMER ONLY
 ALUMINUM - #4, 1/0, 4/0, 350 KCMIL, 2-350 KCMIL, 750 KCMIL, 900 KCMIL: CUSTOMER ONLY

CUSTOMER'S 120/208 VOLT ELECTRIC SERVICE SPACE REQUIREMENTS FOR COMPANY CABLES IN SERVICE END BOXES ONE - 500KCMIL COPPER CON EDISON CABLES PER PHASE.

CONSOLIDATED EDISON COMPANY OF N. Y., INC.

DATE 3-14-60 DWG. NO. **E0-9525-B** REV. **9**
 LAST REV. 04.03.07

FIELD MANUALS NO. 4 SERV INSTL. SECT 1: SERV UNGRND NO. 16 SERV INSP: CTRL SECT 4: ELECT SERV

CONSTR STD'S MANUAL NO. 3 SECT 3F SERV UNGRND

NO.	DATE	REVISIONS	APPROVED
3	04-66	CHD. TITLE	J.L.R.
2	5-15-60	ADD REQ. NOTE - REDUCED DIMENSIONS	J.L.R.
1	1-17-60	CHANGED NOTES	J.L.R.