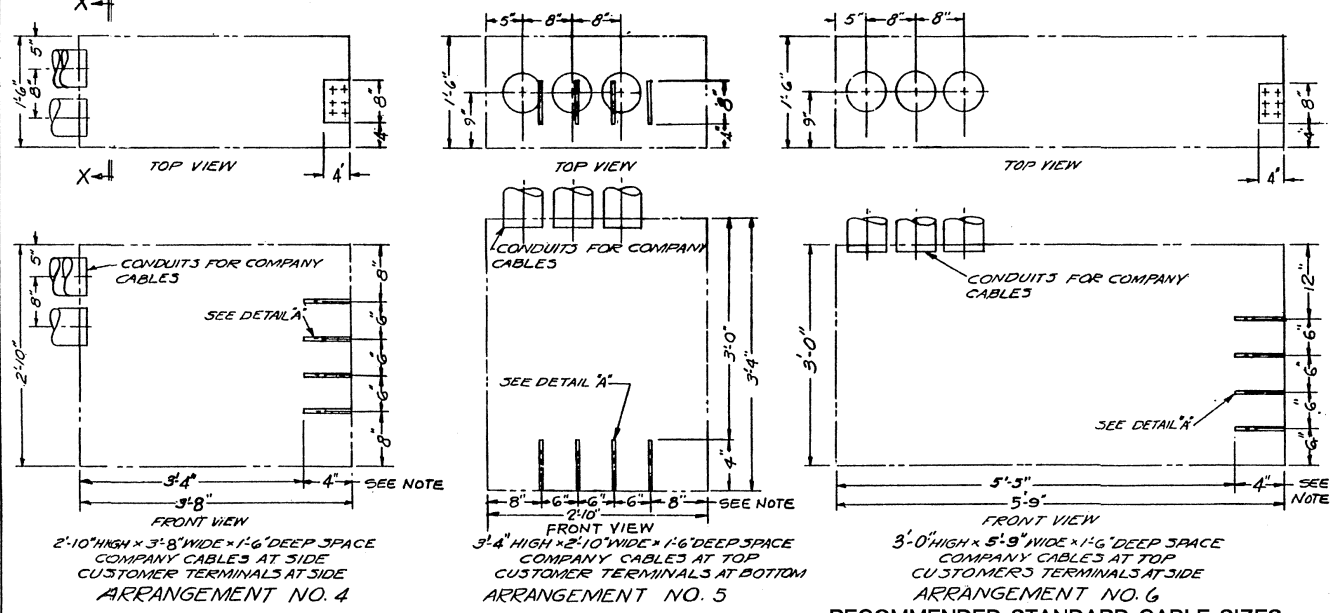
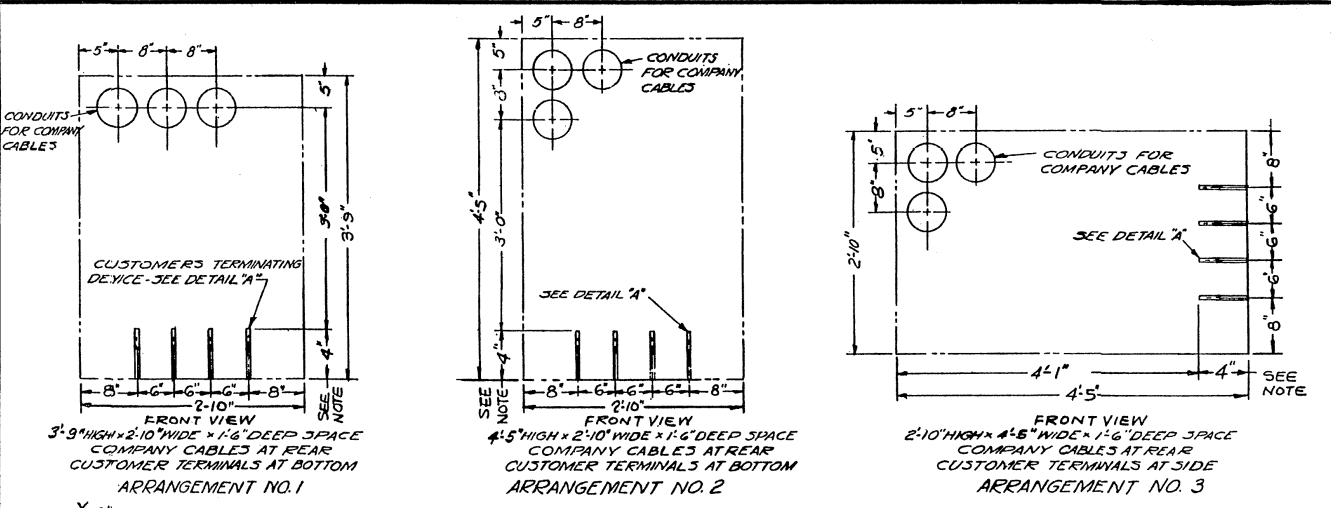
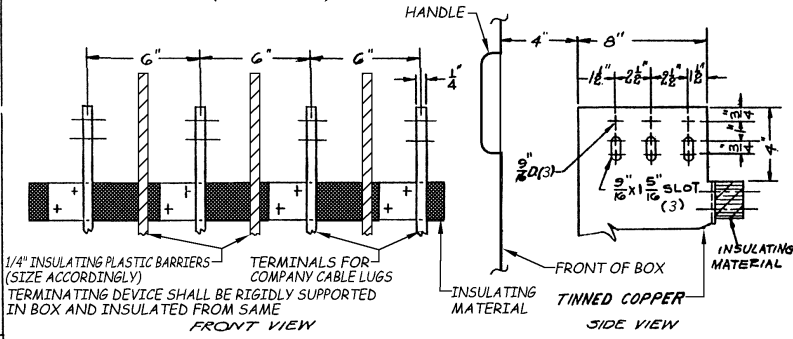
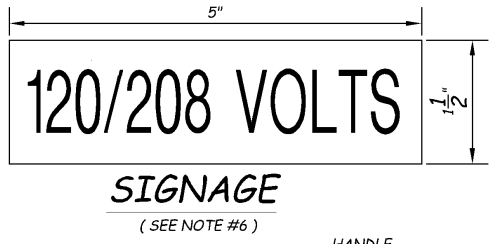


REVISIONS

| | |
|----|--|
| 5 | REDUCED NO. OF COMPANY CONDUITS TO 3, PERMITTED ALUMINUM TERMINATING DEVICE TO BE USED. 1-3-67 E.A. |
| 6 | CHG. TERMINAL DETAIL, ADDED TSD.MCM AL. C.W. 8-18-70 |
| 7 | UPDATED, CHG.D.TITLE & FILING INFO. U.L. 5-23-85 |
| 8 | THOMAS HUI 2/20/04 CHANGED RECOMMENDED STANDARD CABLE SIZES NOTE. REMOVED ALUMINUM FOR TERMINAL MATERIAL. |
| 9 | JDV 02-02-04 ROBERT GENTILE 04.13.05 ADDED SPECIAL NOTE. |
| 10 | JDV 03.24.05 ROBERT GENTILE 08.23.06 ADDED NOTE 6 ADDED SIGNAGE ADDED REF.DWG 5. ADDED INSULATION BARRIERS ADDED HANDLES TO FRONT COVER REMOVED 600 KCMIL TEXT FROM COPPER SIZE TABLE |
| 11 | JDV 08.23.06 ROBERT GENTILE 04.04.07 ADDED 600 KCMIL BACK TO RECOMMENDED STANDARD CABLE SIZE TABLE |
| | JDV 04.04.07 |



SPECIAL NOTE:
THIS SPECIFICATION IS NOT TO BE USED FOR 265/460 - VOLTS



REF. DWGS:

| | |
|---|-----------|
| CUSTOMER'S ELECTRIC SERVICE FROM STREET CABLE SYSTEM: | |
| SPACE REQUIREMENTS - 2-500KCMIL COPPER CABLES PER PHASE | EO-9072-B |
| SPACE REQUIREMENTS - 1-500KCMIL COPPER CABLES PER PHASE | EO-9525-B |
| BUILDINGS WITH BASEMENTS AT PROPERTY LINE | EO-6208-D |
| BUILDINGS WITH BASEMENTS BACK OF PROPERTY LINE | EO-6209-D |
| BUILDINGS WITHOUT BASEMENTS AT PROPERTY LINE | EO-6211-D |
| BUILDINGS WITHOUT BASEMENTS BACK OF PROPERTY LINE | EO-6212-D |
| BUILDINGS WITH SUITABLE SUB-SIDEWALK SPACE OUTSIDE OF PROPERTY LINE | EO-6214-D |
| FOR 265/460V SPACE REQUIREMENTS-MAX 3-500 KCMIL COPPER CON ED CABLE PER PHASE | 34821-0 |

- RECOMMENDED STANDARD CABLE SIZES:**
 COPPER - #6, #2 2/0, 4/0, 500 KCMIL: CON EDISON
 #6, #2 2/0, 4/0, 500 KCMIL, 600 KCMIL: CUSTOMER ONLY
 ALUMINUM - #4, 1/0, 4/0, 350 KCMIL, 2-350 KCMIL, 750 KCMIL, 900 KCMIL: CUSTOMER ONLY
- NOTES:**
- THE RECOMMENDED TYPES OF CONNECTORS AND METHOD OF CONNECTIONS ARE GIVEN IN SPEC. EO-5403.
 - THE CUSTOMER SHALL PROVIDE AND CONNECT HIS SERVICE CABLES TO A SUITABLE COPPER TERMINATING DEVICE SECURED TO BOX, UNDER ANY OF THE FOLLOWING CONDITIONS:
 A - WHEN COPPER OR ALUMINUM CABLES OTHER THAN THOSE LISTED UNDER RECOMMENDED STANDARDS ARE USED.
 B - WHERE THERE WILL BE 3 OR MORE SETS OF CUSTOMER CABLES INTO OR OUT OF THE SERVICE END BOX.
 - THESE ARE MINIMUM REQUIREMENTS FOR CONNECTION OF THE COMPANY'S CABLES AND DO NOT COVER REQUIREMENTS FOR CUSTOMER'S CABLES.
 - NO CUSTOMER CABLES SHALL OCCUPY SPACE IN AREA SHOWN INSIDE END BOXES.
 - A BOX ENCLOSING THE REQUIRED SPACE SHALL CONFORM TO THE FOLLOWING:
 A - BOX SHALL BE IDENTIFIED BY THE MANUFACTURER'S NAME.
 B - BOX SHALL BE MADE OF GALVANIZED SHEET STEEL AND HAVE A FINISH OF GRAY ENAMEL.
 C - THE GAUGE OF THE STEEL SHALL CONFORM WITH THE REQUIREMENTS OF THE UNDERWRITERS LABORATORIES INC.
 D - FRONT COVER OF BOX SHALL BE SEALABLE.
 E - THE CUSTOMER SHALL SUBMIT FOR COMPANY APPROVAL ANY PROPOSED CHANGE IN DESIGN OF BOXES INDICATED ON THIS DRAWING.
 - "120 / 208 VOLTS" - BLACK LABEL WITH WHITE LETTERING LOCATED ON THE INSIDE AND OUTSIDE OF THE ENCLOSURE.

CUSTOMER'S 120/208 VOLT ELECTRIC SERVICE SPACE REQUIREMENTS FOR COMPANY CABLES IN SERVICE END BOXES MAX. 3 - 500 KCMIL COPPER CON EDISON CABLES PER PHASE

FIELD MANUALS
 NO. 4 - SERV. INSTL.
 SECT. I - SERV. UNDERGND.
 NO. 15 - SERV. INSP. CTRL.
 SECT. 4 - ELECT. SERV.

CONSTR. STANDARDS
 MANUAL NO. 3 SECTION 36
 SERVICES UNDERGROUND

MAILING LIST 1