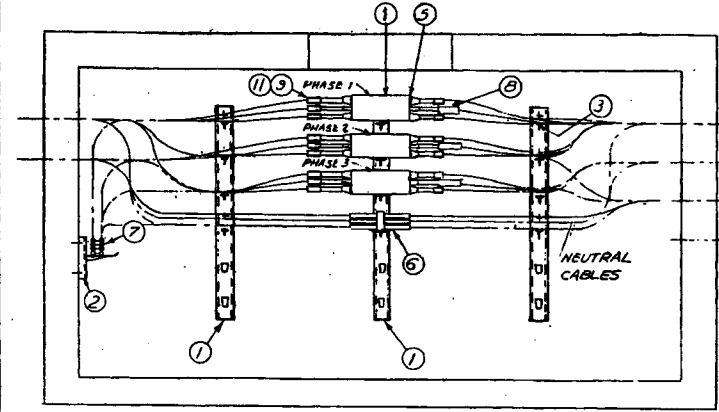
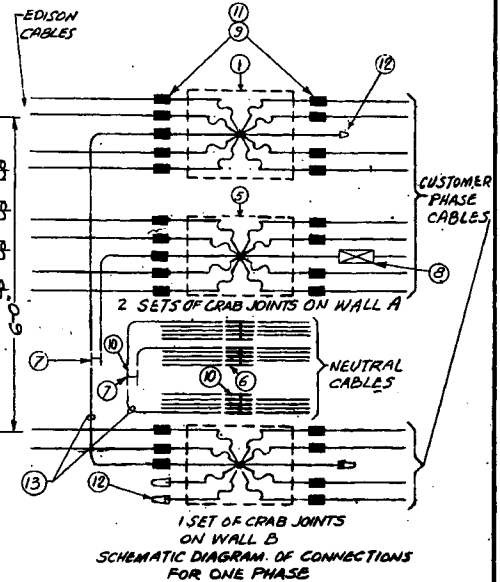
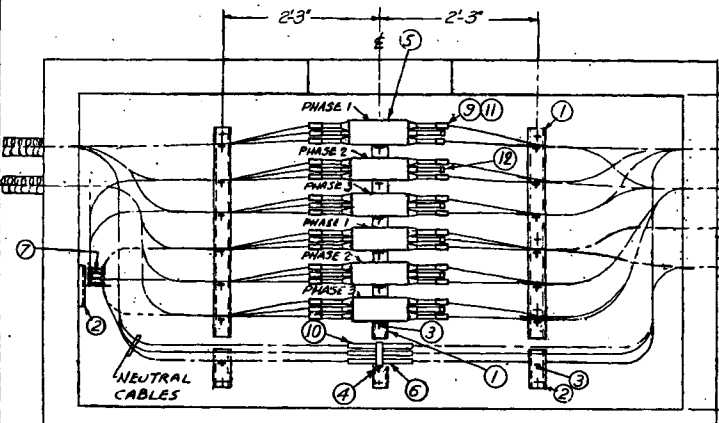
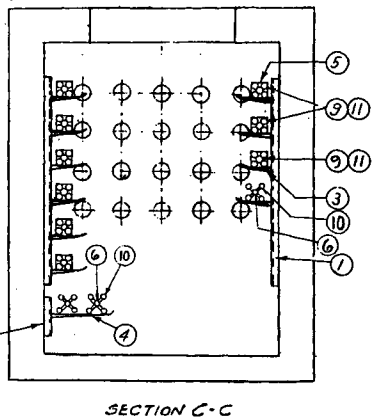
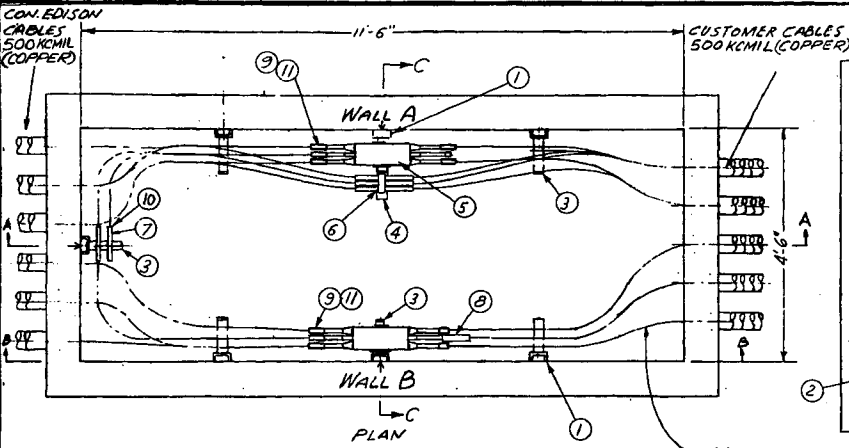
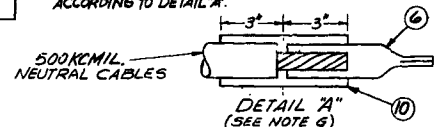


8-17-01-07

- REVISIONS**
- 11/2-74 4 CHANGED TITLE, MADE CRABS PIGTAILED, H.M. 10-13-74
 - 4-17-74 5 CHANGED NOTE 'F' ADDED ITEM NO. 13 V.D. 4-16-74
 - 5-28 6 CHG'D TITLE UPDATED BY NATL. AND FLING. INFO. M.H.T. 4-16-85



- NOTES:-**
- A-RING BUS (ITEM 13) ARE TO BE USED FOR INTERCONNECTION OF CRAB JOINTS.
 - B-UNUSED CABLE TERMINALS ON FUSIBLE CRAB JOINTS SHALL BE INSULATED CAP (ITEM 12)
 - C- ALL ITEMS LISTED IN THE BILL OF MATERIALS SHALL BE FURNISHED AND INSTALLED BY THE CUSTOMER. CUSTOMER CABLES SHALL BE CONNECTED BY THE CUSTOMER AND "EDISON" CABLES BY THE CON. EDISON CO. ONLY.
 - D-BENDING RADIUS OF CABLE SHALL BE NOT LESS THAN 3 TIMES THE DIAMETER OF THE CABLE.
 - E- THIS SPECIFICATION APPLIES TO 120/208 VOLT CABLE INSTALLATIONS ONLY, AND SHALL NOT BE USED FOR 480 VOLT INSTALLATIONS.
 - F- ITEMS SHALL BE PURCHASED FROM COMPANY APPROVED MANUFACTURERS. THE APPROVED MANUFACTURERS FOR CRAB JOINTS ARE BURNDY, HOFER, RICHARDS & MAC.
 - G- CONNECTIONS TO BARE NEUTRAL CRABS SHALL BE INSULATED ACCORDING TO DETAIL 'A'.



REFERENCE DRAWINGS:
SERVICE TERMINATIONS IN PRIVATE PROPERTY LINE BOXES AND MANHOLES EO-6210-B
11'6" x 4'6" x 6'0" MANHOLE (PRECAST) EO-2164-B
RIB D CONSTRUCTED EO-11324-B
APPLICATION OF HEAT SHRINKABLE TUBING FOR INSULATING SECONDARY SPLICES EO-1318-B

- FIELD MANUALS
NO. 1 SUPPLY SPACING
SECT. 9: SECONDARY P/L
CABLE ARRANGMT.
NO. 4: SERV. INSTL.
SECT. 1: CUST. PL. BOX
NO. 16: SERV. INSUL. CONTR.
SECT. 4: ELECT. SERVICES
- CONSTRUCTION STDS.
MANUAL NO. 3
SECTION NO. 22
CABLE ARRANGEM. DET.

ITEM NO.	DESCRIPTION	QUANTITY	DWG. OR SPEC. NO.	CON. ED. STOCK NO.
13	RING BUS CABLE 500KCMIL COPPER EPR-NEOPRENE INSULATED	80'	EO-609-E	561-1363
12	HEAT SHRINKABLE CABLE END CAP 1.5" x 3"	AS REQD.	EO-1318-B	596-2642
11	HEAT SHRINKABLE TUBE 1.8" x 1.8" FOR CONNECTORS	AS REQD.	EO-1318-B	596-2642
10	HEAT SHRINKABLE TUBE 1.8" x 1.8" FOR 500KCMIL NLT. TERMINALS	AS REQD.	EO-1318-B	596-2642
9	500 KCMIL COPPER CONNECTOR	AS REQD.	EO-4147-C	570-1263
8	500KCMIL COPPER LAMINATED SHELL AND RUBBER SLEEVE	AS REQD.	EO-1041-D	570-1164
7	2 WAY-2 WAY 500KCMIL NON-FUSIBLE COPPER CRAB (INSULATED)	4	EO-1628-B	573-0064
6	5 WAY-5 WAY 500KCMIL NON-FUSIBLE COPPER CRAB (BARE)	3		573-0544
5	5 WAY-5 WAY 500KCMIL FUSIBLE COPPER CRAB WITH PIGTAILS	9	EO-3267-B	573-0130
4	RACK ARM 2 WAY	1	EO-2238-C	003-0056
3	RACK ARM 1 WAY	33	EO-2238-C	003-0049
2	STANCHION 1 SLOT	4	EO-2236-C	003-0346
1	STANCHION 6 SLOT 8" CENTERS	6	EO-10302-C	003-0460

BILL OF MATERIAL

COPPER CABLE ARRANGEMENT - 120/208 V.
PROPERTY LINE MANHOLE
12 SETS OF 4-500 COPPER CON. ED. CABLES
15 SETS OF 4-500 COPPER CUSTOMER CABLES

CONSOLIDATED EDISON COMPANY OF N. Y., INC.
ELECTRICAL ENGINEERING DEPT.

DATE 9-29-72 DWG. NO. EO-11041-B REV. 6
LAST REV. 4-16-85

NEXT SCHEDULED REVIEW 4/85

NO.	DATE	REVISIONS	APPROVED	DIV.	SIGNATURE	DATE	DESIGNED BY	DATE	CHECKED BY	DATE

FOR APPROVAL

NO.	DATE	REVISIONS	APPROVED	DIV.	SIGNATURE	DATE

DATE 9-29-72 DWG. NO. EO-11041-B REV. 6