

# CECONY's Updated Local Transmission Plan (LTP)

# LTP Update - Agenda

---

- CECONY - Overview
- DEC NOx Peaker Rule
- Solutions to local Non-BPTF Identified Needs
- Impact of the Solutions on the Transmission System

# CECONY - Overview

# Overview

---

- NYC and Westchester
- 660 square miles
- 9.3 million people
- 3.4 million customers
- All time system peak
  - 13,322 MW (2013)



# DEC NOx Peaker Rule and Local Non-BPTF Impacts

# DEC NOx Peaker Rule Causes Local Non-BPTF Needs

- In 2019, the New York State Department of Environmental Conservation (DEC) adopted a regulation to limit nitrogen oxides (NOx) emissions from simple-cycle combustion turbines during the summer operating “ozone” season
- Planned status change for “key local units” to comply with DEC Peaker Rule\*

Owner / Operator	Plant Name	Zone	CRIS	Assumed Deactivation Date	Transmission Load Area (TLA)
NRG Power Marketing, LLC	Astoria GT 2-1, 2-2, 2-3, 2-4	J	505.5	2023	Astoria East / Corona 138 kV TLA
	Astoria GT 3-1, 3-2, 3-3, 3-4	J		2023	
	Astoria GT 4-1, 4-2, 4-3, 4-4	J		2023	
Astoria Generating Company, L.P.	Gowanus 1-1 through 1-8	J	278.8	2023	Greenwood / Fox Hills 138 kV TLA
	Gowanus 4-1 through 4-8	J		Summer ONLY	
	Gowanus 2-1 through 2-8	J	608.7	2025	
	Gowanus 3-1 through 3-8	J			
	Narrows 1-1 through 2-8	J			

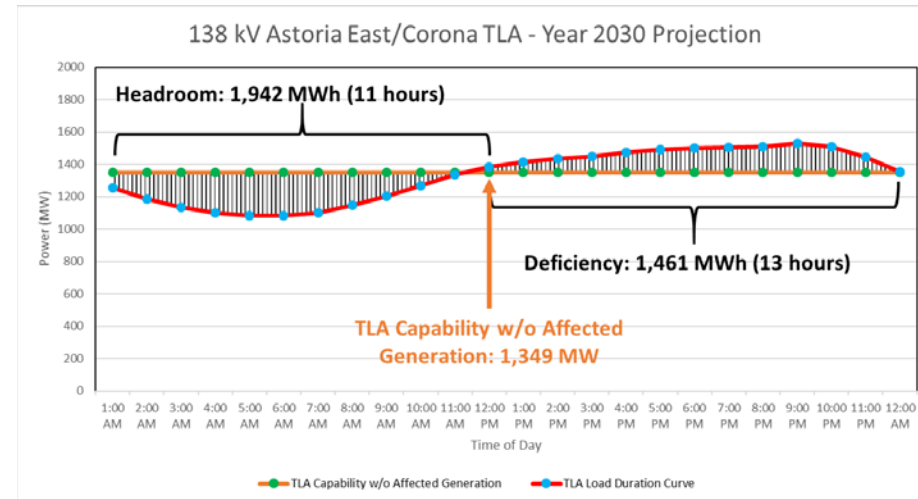
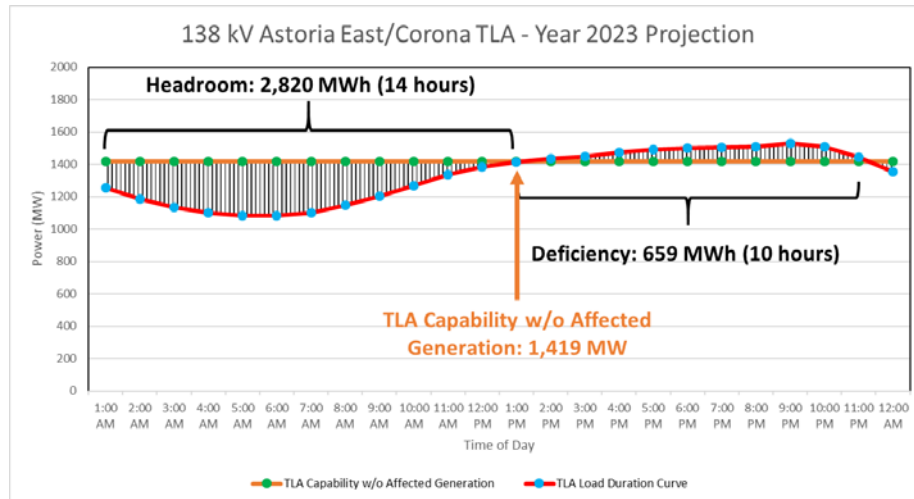
\* Full List of units affected by DEC Peaker Rule can be found in the Appendix of this presentation

# Identified Local Needs – Astoria East / Corona 138 kV TLA

- Retirement of Astoria Gas Turbines would result in a Summer Operating Season (“ozone”) deficiency starting in 2023

Year	2023	2024	2025	2026	2027	2028	2029	2030
N-1/-1/-0 Design Peak Deficiency (MW)	110	115	110	115	120	125	170	180

- A deficiency exists over a 10-hour period (2023) that expands to a 13-hour period (2030)

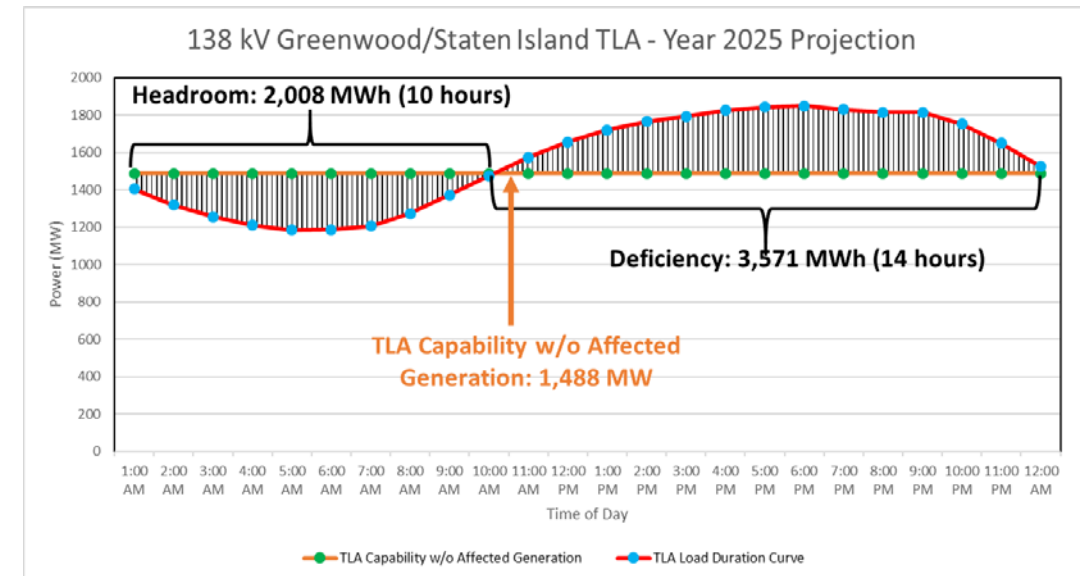


# Identified Local Needs – Greenwood / Fox Hills 138 kV TLA

- Unavailability of Gowanus and Narrows Barges would result in a Summer Operating Season (“ozone”) deficiency starting in 2025
  - Thermal and voltage violations in the steady state condition (N-0) result in a transmission overload of about 70 MW above *normal rating of feeders*

Year	2025	2026	2027	2028	2029	2030
N-1/-1 Design Peak Deficiency (MW)	360	350	360	360	370	370

- A deficiency exists over a 14-hour period





# Solutions to local Non-BPTF Identified Needs

## Solutions to local Non-BPTF Identified Needs

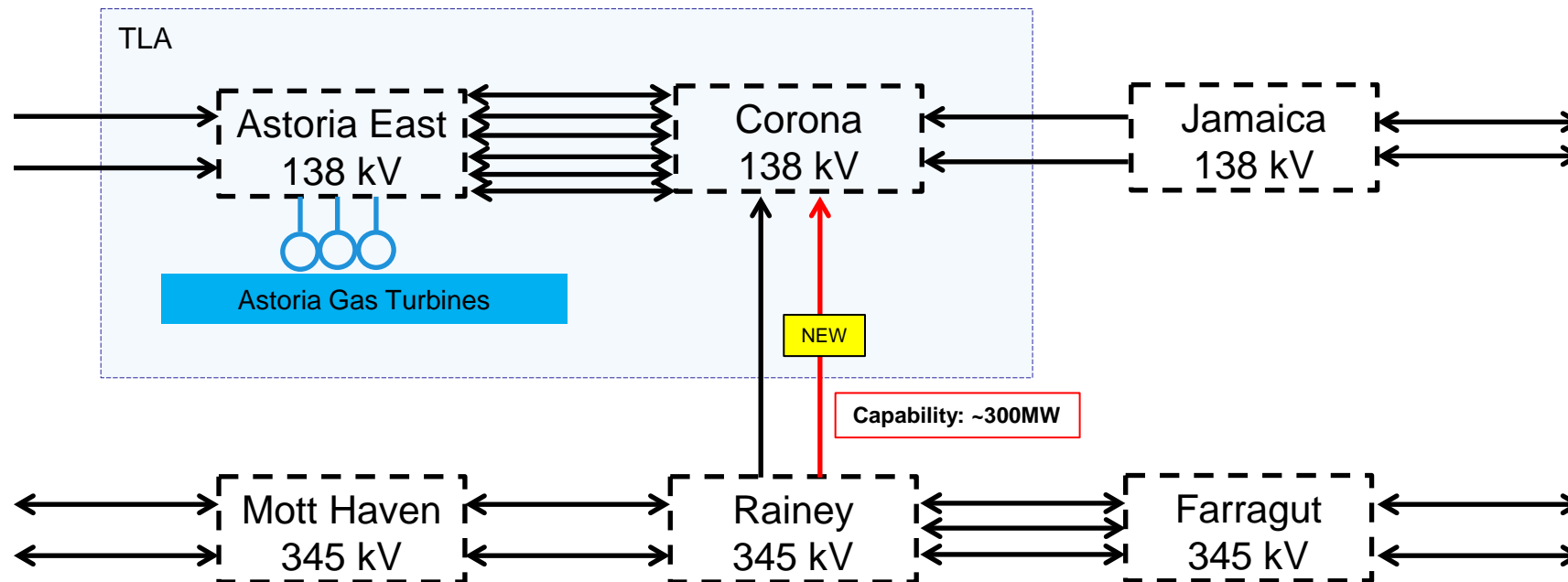
---

- CECONY firm solutions focus ONLY on addressing the local non-BPTF needs
  - As identified in the RNA/STAR studies
- CECONY firm solutions have minimal impact on BPTF needs\*

\* One of the proposed projects unbottles exiting Staten Island resources

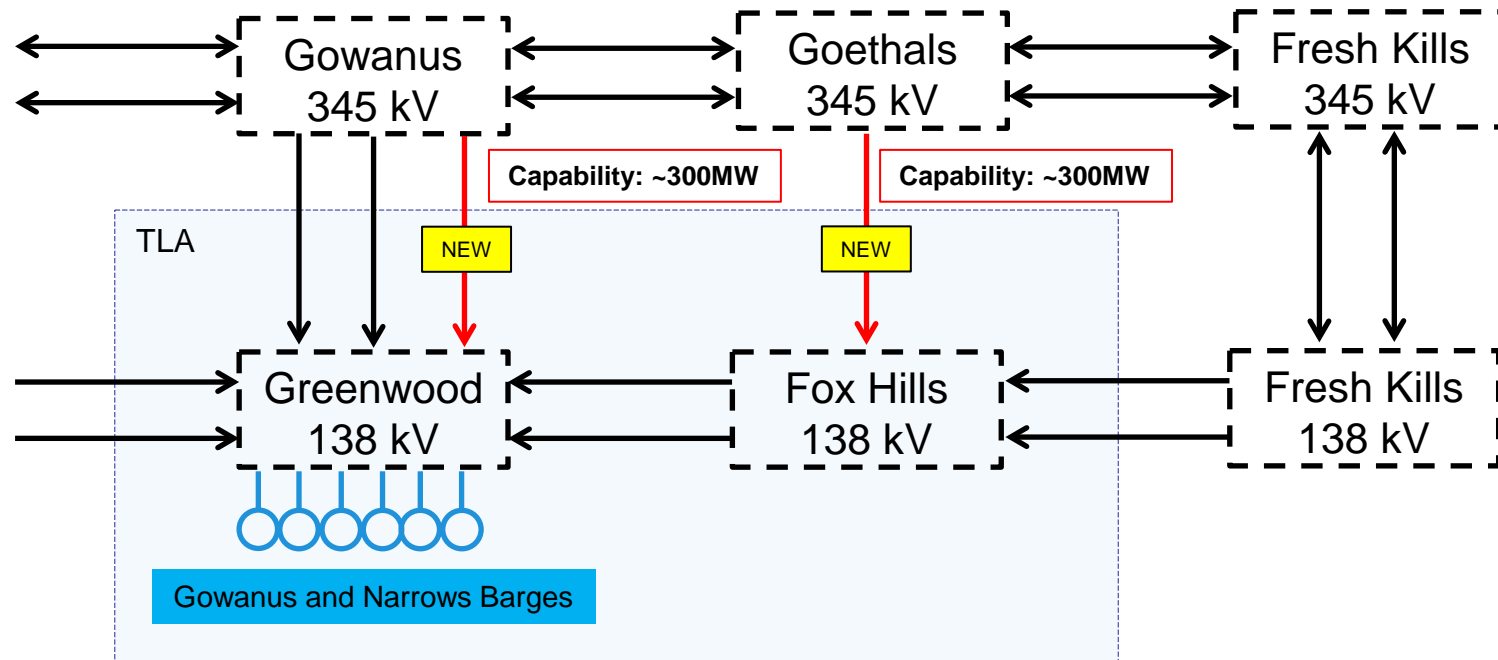
# SOLUTION: Astoria East / Corona & Jamaica Corona TLA

- A solution for year 2023 (in-service date):
  - A new 345/138 kV PAR controlled Rainey – Corona feeder



# SOLUTION: Greenwood / Fox Hills TLA

- A solution for year 2025 (in-service date):
  - A new 345/138 kV PAR controlled Gowanus – Greenwood feeder
  - A new 345/138 kV PAR controlled Goethals – Fox Hills feeder



# Impact of the Solutions on the Transmission System

## CECONY's Solutions Maintain Reliability of the Local System

---

With the three firm projects assumed in-service for the 10-year planning horizon:

- Previously identified local non-BPTF thermal needs are addressed
- Short circuit analysis did not identify any over-duty condition
- Thermal and voltage analysis did not identify any new local needs
- Stability analysis did not identify any new local needs

Thank you!

# Appendix



# RNA\*: Status Change due to DEC Peaker Rule, Zone J (NYC)

Units	Nameplate MW	CRIS (MW)		Capability (MW)		2023 Ozone Season	2023 non-Ozone Season	2024 Ozone Season	2024 non-Ozone Season	2025 Ozone Season	2025 non-Ozone Season
		Summer	Winter	Summer	Winter	May 2023 - September 2023	October 2023 - April 2024	May 2024 - September 2024	October 2024 - April 2025	May 2025 - September 2025	October 2025 - April 2026
Astoria GT1	16	16	21	14	19	I/S	I/S	I/S	I/S	O/S	I/S
Gowanus 1&4 (1-1 through 1-8, and 4-1 through 4-4)	320	279	364	274	365	O/S	I/S	O/S	I/S	O/S	I/S
Gowanus 2&3 (2-1 through 2-8 and 3-1 through 3-8)	320	300	391	278	373	I/S	I/S	I/S	I/S	O/S	I/S
Narrows 1&2 (1-1 through 1-8, and 2-1 through 2-8)	352	309	404	287	380	I/S	I/S	I/S	I/S	O/S	I/S
Ravenswood GTs (01, 10, 11)	69	50	64	41	57	O/S	O/S	O/S	O/S	O/S	O/S
Arthur Kill GT1	20	17	22	12	15	I/S	I/S	I/S	I/S	O/S	O/S
Astoria GTs (2-1 through 2-4, 3-1 through 3-4, 4-1 through 4-4)	558	504	621	415	543	O/S	O/S	O/S	O/S	O/S	O/S
Con Ed 59th St	17	15	20	16	20	I/S	I/S	I/S	I/S	O/S	O/S
Con Ed 74th St	37	39	49	35	41	O/S	O/S	O/S	O/S	O/S	O/S
Con Ed Hudson Ave 5	16	15	20	14	20	O/S	O/S	O/S	O/S	O/S	O/S
Unavailable MW (Summer Capability)						779	506	779	506	1,385	533
Available MW (Summer Capability)						606	880	606	880	0	852
Impacted MW	1,725	1,544	1,975	1,385	1,834						
O/S - Out-of-service											
I/S - In-service											

\* Figure 8 (page 17)