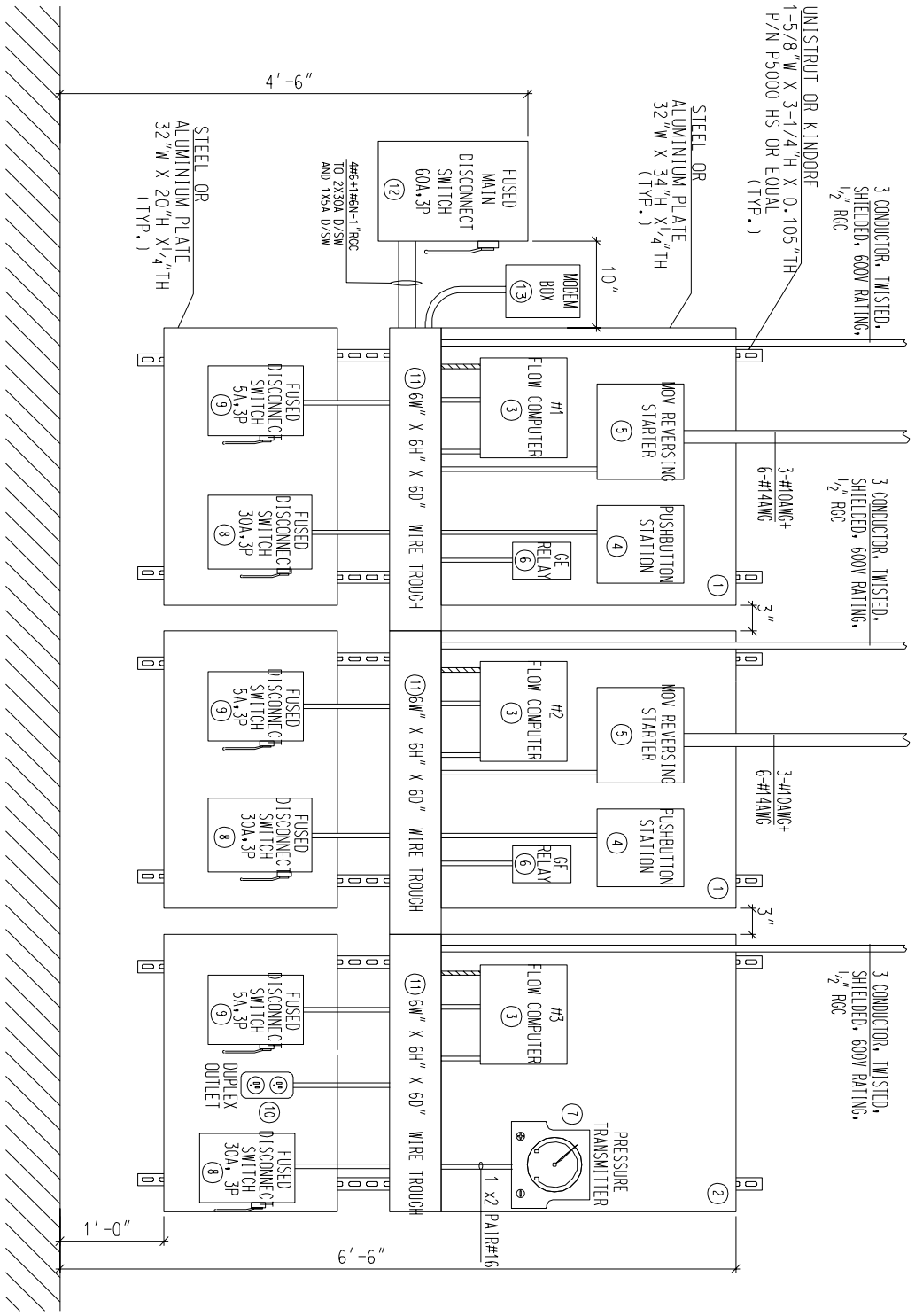
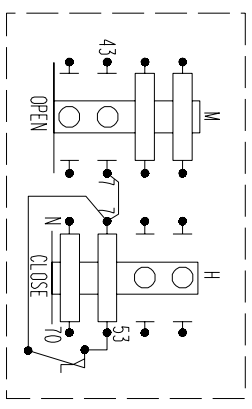
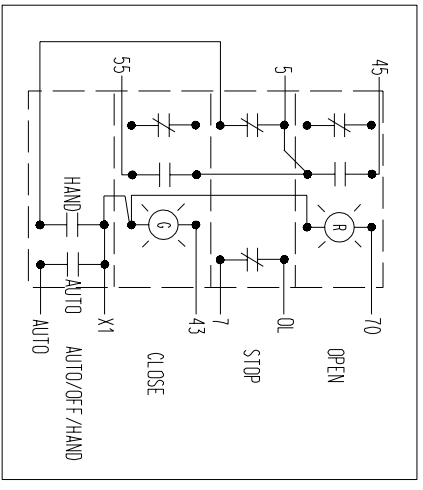
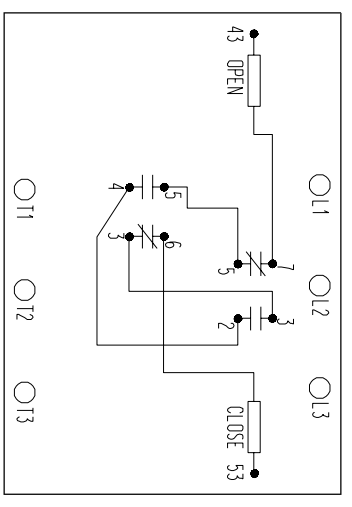
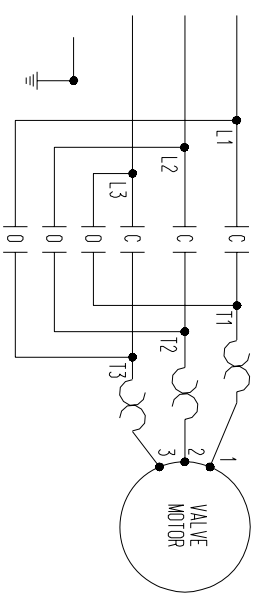


DRAWN BY	10/31/03
REVISED BY	12/17/04
REVISED BY	03/21/07
STEPHENS, L.	

CONTROL PANEL FOR VORTEX METERS

QUANTITY	SUPPLIED BY CON ED
2	NO
1	NO
3	YES
2	YES
2	YES
2	YES
1	YES
3	NO
3	NO
1	NO
1	NO
1	NO
1	YES



PUSH BUTTON STATION MATERIALS LIST (A-B = ALLEN-BRADLEY)

ITEM	QTY	DESCRIPTION
1	2	A-B 800T-QAH10R RED ILLUMINATED PB SWITCH
2	2	A-B 800T-QAH10C GREEN ILLUMINATED PB SWITCH
3	2	A-B 800T-B2A4 BLACK PB 2NC
4	2	A-B 800T-J2A SWITCH 3POS KNOB 1NO-1NC
5	2	A-B 800T-X501 NAMEPLATE AUTO-OFF-HAND
6	2	A-B 800T-X531 NAMEPLATE OPEN
7	2	A-B 800T-X502 NAMEPLATE CLOSE
8	2	A-B 800T-X550 NAMEPLATE STOP RED
9	2	A-B 800T-417 4-HOLE PB ENCLOSURE
10	2	A-B 800T-NX446 PADLOCK ATTACHMENT
11	2	A-B 505-BAD 120V REVERSING STARTER

NOTES FOR CONTROL PANEL INSTALLATION:

1. THE BOTTOM EDGE OF THE PANEL ASSEMBLY SHALL BE 1' ABOVE THE FLOOR.
2. MINIMUM OF 3" SPACE MUST BE PROVIDED BETWEEN ENCLOSURE/ELECTRICAL COMPONENT.
3. MINIMUM OF 3' CLEARANCE SHALL BE PROVIDED IN FRONT OF THE PANEL ASSEMBLY.
4. 6" X 6" SCREW COVER FLANGELESS TROUGH ACROSS ALL FRAMES WITH 1/2", 1", 1 1/2" KNOCKOUTS (ALL SIDES).
5. RELAY # RL4RA0221J WITH SURGE SUPPRESSOR Part # BSLR2K
6. IF NOISE IS SUSPECTED ON POWER SUPPLY, USE A 208-120 VAC, 3KVA TRANSFORMER.

PHYSICAL LAYOUT OF VORTEX METER WITH LIMITORQUE VALVE & CONTROLS

CONSOLIDATED EDISON COMPANY OF N.Y., INC.
STEAM DISTRIBUTION ENGINEERING

DATE:	12/17/04	DWG. NO.	S-634	REV	2
LAST REV.:	YIU, K.				