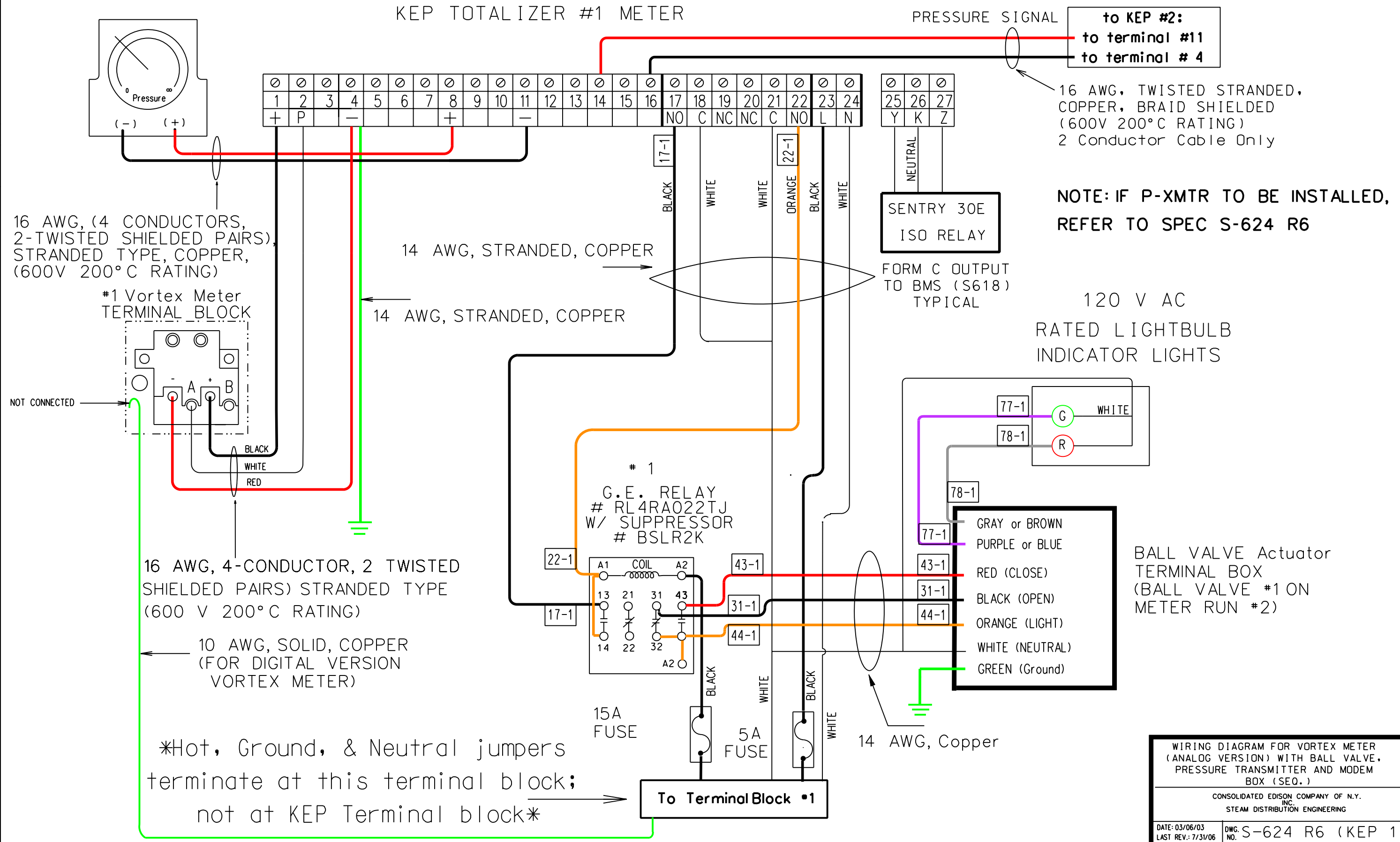


DRAWN BY	BURKE, J.
DATE	05/25/00
REVISIONS	
1	12/07/01
2	03/06/03
3	08/28/03
4	11/14/05
5	7/31/06
6	

Abdalla, A.  
 Revised for digital meter installation  
 Revised to add # 10 AWG ground wire for use with digital Vortex meter in future

COMPUTER GENERATED  
 DRAWING NOT TO BE  
 HAND REVISED

### KEP TOTALIZER #1 METER



WIRING DIAGRAM FOR VORTEX METER (ANALOG VERSION) WITH BALL VALVE, PRESSURE TRANSMITTER AND MODEM BOX (SEQ.)

CONSOLIDATED EDISON COMPANY OF N.Y. INC. STEAM DISTRIBUTION ENGINEERING

DATE: 03/06/03 LAST REV.: 7/31/06

DWG. NO. S-624 R6 (KEP 1)