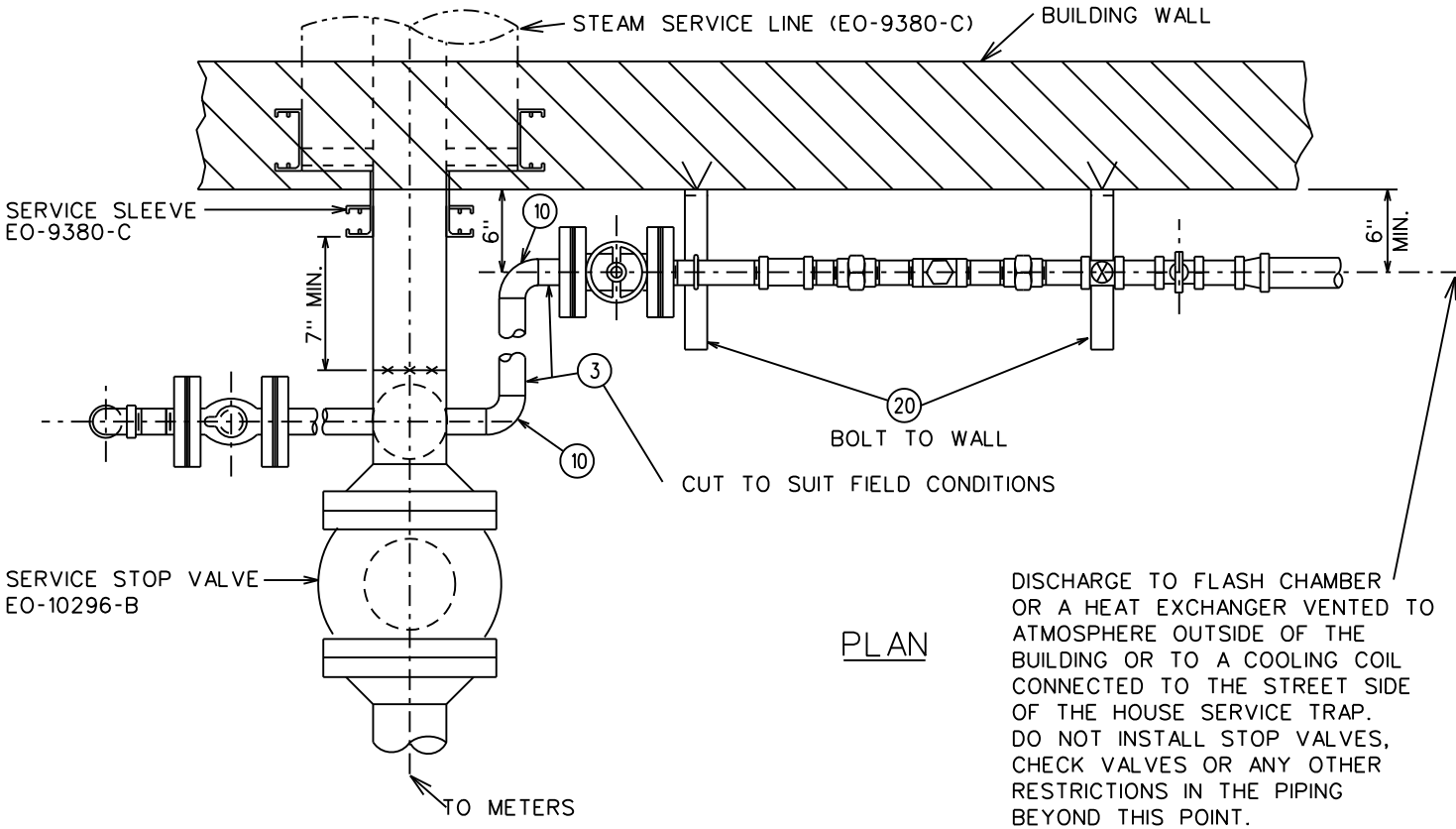
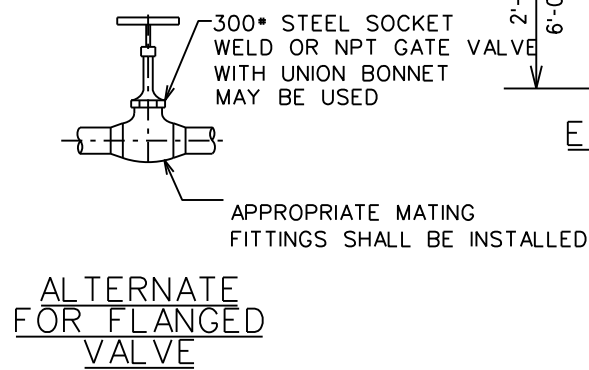
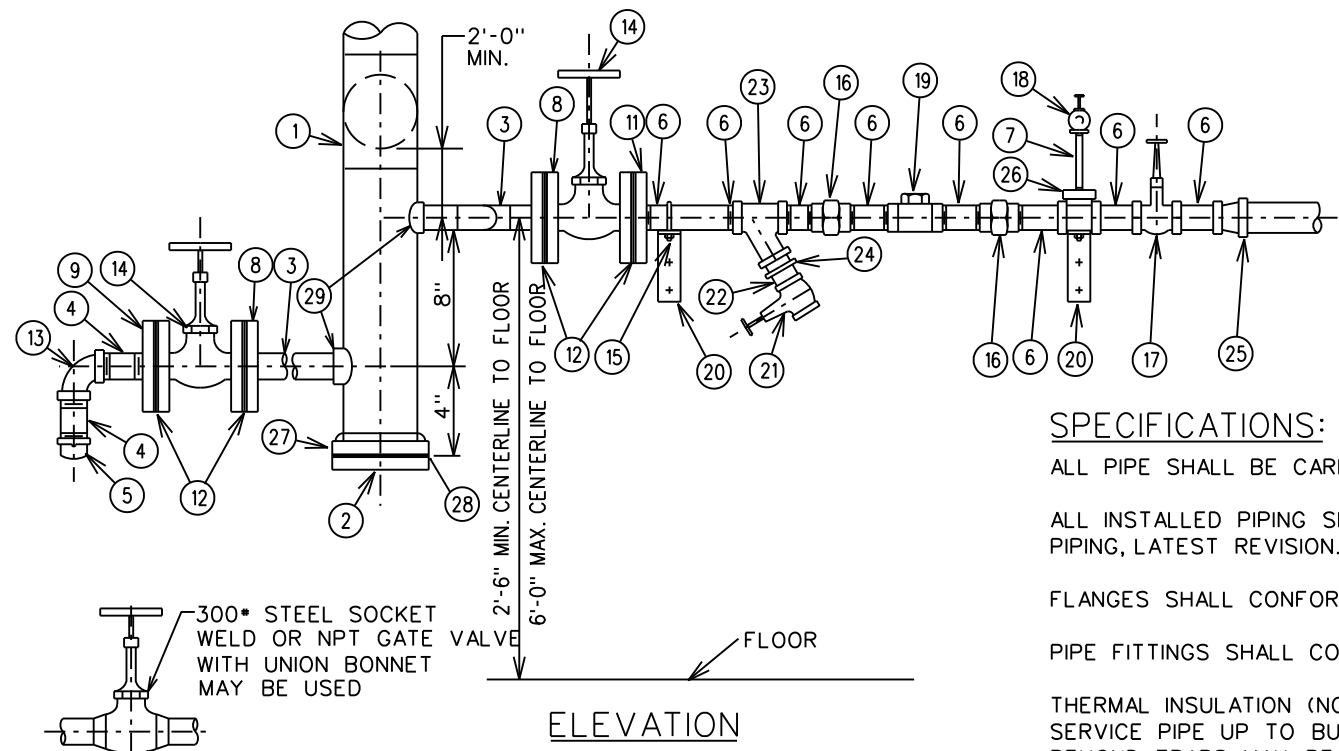


8-7936-03
REVISIONS
5
CHG'D ITEMS 22 DESCRIPTION L.L. 10/04/78
6
REMOVED REFERENCE TO INSULATING JOINT A.D. 01/22/79
7
CHG'D 1" DESIGNATION BILL OF MAT'L, & NOTE N.E.S. 05/28/79
8
CHG'D DIMENSION OF BUSHING ITEM 24 N.E.S. 09/21/79
9
ADDED ITEM 29 UPDATED FILING INFO. J.L. 05/09/80
10
DELETED 1" LOCKUP (ITEM 15) CHG'D ITEM 29 TO 15 V.D. 06/10/81
11
ADDED UNION AND NIPPLE BETWEEN VALVE AND STRAINER L.L. 05/04/82
REVISOR BY GENTEK 09/15/03
12
REDRAWN TO CADAM CHG'D MAX. HEIGHT OF TRAP STATION, UPDATED BILL OF MATERIAL. JP 10/4/91
13
REVISOR BY GENTEK
14
CONVERTED TO MICROSTATION; EDITORIAL CHANGES; MODIFIED SPECS. R.P.R. 7/13/05
15
REMOVED UNION, ADD SOCKOLET, REVISED NOTE FOR GATE VALVE LRD(SEA) 01/20/06
K.Y.9/15/09
16
REPLACE 200 * BRONZE VALVE WITH 300* VALVE. REPLACE 250* C.I. FITTINGS WITH 3000* FORGED STEEL ONES V.R.9/10/09
CONSTRUCTION STDS MANUAL NO. 3 SECTION 51 STEAM



DISCHARGE TO FLASH CHAMBER OR A HEAT EXCHANGER VENTED TO ATMOSPHERE OUTSIDE OF THE BUILDING OR TO A COOLING COIL CONNECTED TO THE STREET SIDE OF THE HOUSE SERVICE TRAP. DO NOT INSTALL STOP VALVES, CHECK VALVES OR ANY OTHER RESTRICTIONS IN THE PIPING BEYOND THIS POINT.



SPECIFICATIONS:

- ALL PIPE SHALL BE CARBON STEEL IN ACCORDANCE WITH ASTM A53, GRADE B SEAMLESS.
- ALL INSTALLED PIPING SHALL BE IN COMPLIANCE WITH ASME CODE B31.1 FOR PRESSURE PIPING, LATEST REVISION.
- FLANGES SHALL CONFORM WITH ASTM A-105 AND ANSI B16.5.
- PIPE FITTINGS SHALL CONFORM TO ANSI B16.11 FORGED STEEL FITTING, SOCKET- WELDING AND THREADED ASTM A-105 FORGED 3000# RATINGS.
- THERMAL INSULATION (NOT SHOWN) OF AN APPROVED TYPE SHALL BE INSTALLED FROM THE SERVICE PIPE UP TO BUT NOT INCLUDING THE SARCO T.D. H.P. STEAM TRAPS, INSULATION BEYOND TRAPS MAY BE INSTALLED AT CUSTOMER'S OPTION.
- FOR COMPANY APPROVED EQUIPMENT, SEE "APPROVED STEAM SERVICE EQUIPMENT" BOOKLET.

BILL OF MATERIAL			
ITEM NUMBER	QUANT.	DESCRIPTION	SIZE
1	AS REQ'D.	PIPE CUT TO SUIT	FULL SIZE
2	1	300 # ANSI BLIND FLANGE	---
3	AS REQ'D.	1" DIA. PIPE CUT TO SUIT - SCH. 80	---
4	2	1" PIPE NIPPLE - XS	1" x 3" LG.
5	1	EXTRA STRONG SCREWED PIPE CAP	1"
6	8	THREADED PIPE NIPPLE - XS	1/2" x 3" LG.
7	1	EXTRA STRONG THREADED PIPE NIPPLE	1/4" x 4"
8	2	SOCKET WELD FLANGE - FLAT FACE - 300 #	1"
9	2	SCREWED FLANGE -300# FLAT FACE	1"
10	2	90° WELDING ELL , XS	1"
11	1	1/2" x 4 7/8" O.D. REDUCING FLANGE FLAT FACE	---
12	4	1" FULL FACE GASKET 1/16" ASME SIZE	---
13	1	3000# FORGED SCREWED ELBOW	1"
14	2	300 # - 1" BRONZE GATE VALVE, FLAT FACE FLANGE	---
15	1	"U" BOLT W/ HEX NUTS & WASHERS	1/4"
16	2	300 # STEEL UNION	1/2"
17	1	300 # GATE VALVE SCREWED ENDS, BRONZE	1/2"
18	1	300 # ANGLE GLOBE VALVE, SCREWED ENDS, BRONZE	1/4"
19	1	SARCO T.D. HIGH PRESSURE STEAM TRAP	1/2"
20	2	SUPPORT BRACKET 9" X 1" X 1/4" FLAT STEEL (3 PLATES ONE BRACKET) OR EQUAL	---
21	1	300 # GLOBE VALVE SCREWED, BRONZE	1/4"
22	1	EXTRA STRONG THREADED PIPE NIPPLE	1/4" x 4" LG.
23	1	STRONG STRAINER TYPE "SY" WITH 60-100 MESH MONEL SCREEN	1/2"
24	1	BUSHING, FORGED STEEL	3/8" x 1/4"
25	1	3000# FORGED STEEL REDUCER ASTM A-105	1" x 1/2"
26	1	3000# FORGED STEEL TEE, ASTM A-105	1/2" x 1/2" x 1/4"
27	1	300# SOCKET WELD FLANGE, SIZE 1", 2", 3"	AS REQ'D.
		300# WELD NECK FLANGE, SIZE 4" AND OVER	AS REQ'D.
28		GASKET 1/16" THICK, ASME SIZE	AS REQ'D.
29	2	SOCKOLET - 3000*	1"

*FURNISHED BY CON EDISON

CUSTOMER'S INSTALLATION OF STEAM TRAP FOR 200 PSIG SERVICE

CONSOLIDATED EDISON COMPANY OF N.Y., INC. STEAM DISTRIBUTION ENGINEERING

DATE 10-21-60 DWG. NO. E0-9352-B REV. 16
 LAST REV. 09-10-09